



**CNL 6415 PLUS** Pull-out hood with ECOPOWER motor and 5+1 speeds in 60 cm



LED



Stop Delay  
Timer

**DESCRIPTION**

Pull-out hood with ECOPOWER motor and 5+1 speeds in 60 cm

**LIFE STYLE**

Maestro

**COLOURS**



**REFERENCE**

REF. 40436820  
EAN. 8421152146200

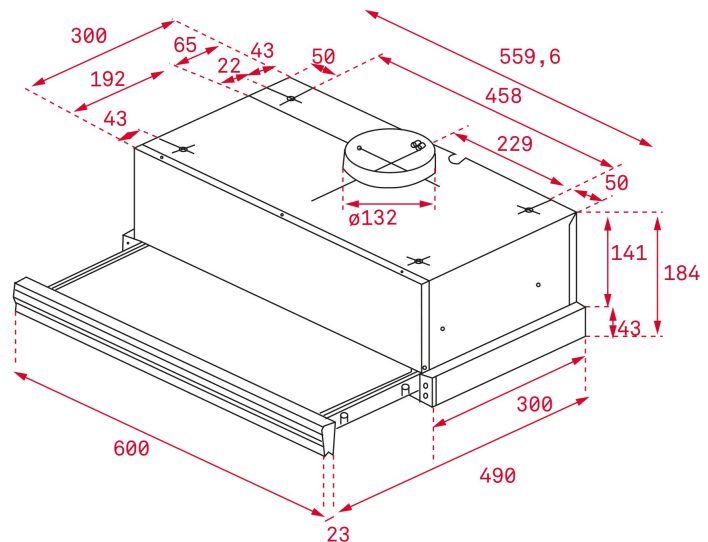


**TEKA**

## **CNL 6415 PLUS**

### **FEATURES**

Pull-out hood  
Electronic control  
5 speeds + 1 intensive  
Free Outlet exhaust capacity (m<sup>3</sup>/h): 393  
Intensive speed exhaust capacity (m<sup>3</sup>/h): 385  
Max speed exhaust capacity (m<sup>3</sup>/h): 293  
Min speed exhaust capacity (m<sup>3</sup>/h): 141  
Intensive speed sound level (dBA): 69  
Max speed sound level (dBA): 64  
Min speed sound level (dBA): 52  
1 LED lamps  
2 Stainless Steel filter  
Stop delay timer  
Fingerprint proof front panel  
Exchangeable Front Panel  
Anti-return valve included  
Optional Charcoal Filter: CNL 1C



## DIMENSIONS

**Product height (mm):** 184

**Product width (mm):** 600

**Product depth (mm):** 300/490

**Product length (mm):**

**Net weight (Kg):** 7,26

## TECH SPECS

### FEATURES

**Certificates:** CE; CB; Rohs  
**Ø Outlet (mm):** 120  
**Type of inner light:** LED  
**Inside light Consumption (W):** 19  
**Plug type:** European plug  
**Power rate (V):** 230  
**Frequency (Hz):** 50  
**Total hood power (W):** 119  
**Number of motors:** 1  
**Motor power (W):** 110  
**Air flow (Qmin) m<sup>3</sup>/h:** 141  
**Air flow (Qmax):** 293  
**Air flow (Qboost):** 385

### ACCESSORIES

**Anti Return valve:** Yes  
**Outlet extension:** No  
**Optional Charcoal Filter:** CNL 1C

### MODELS

**Number of filters:** 2

**Filter description:** Stainless Steel filters MMX

**Control panel:** Electronic soft buttons

**Stop delay timer:** Yes

**Automatic lighting:** Yes

**Number of speeds:** 5+1

**Fingerprint proof front panel:** Yes



CNL 6415 PLUS

ENERGY LABEL

