



D 985 90cm Pyramidal Decorative Hood with electronic controls and ECOPOWER motor



LED



Stop Delay
Timer

DESCRIPTION

90cm Pyramidal Decorative Hood with electronic controls and ECOPOWER motor

LIFE STYLE

Total

COLOURS

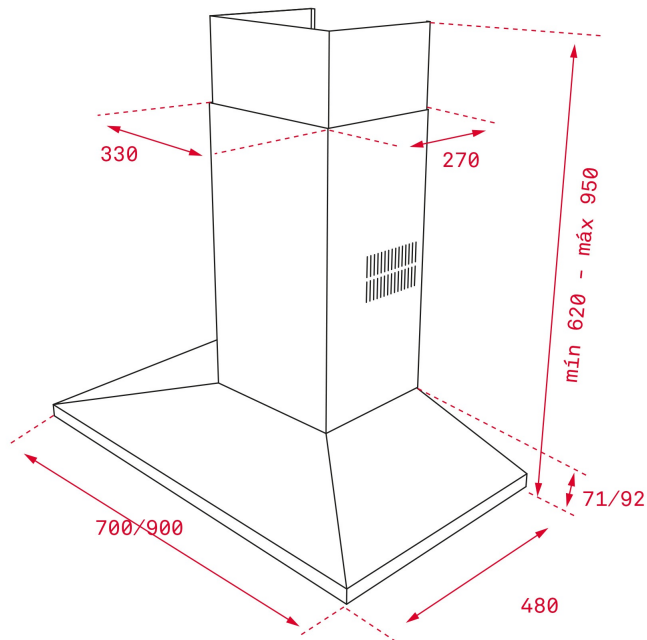


REFERENCE

REF. 40437010
EAN. 8421152145654

FEATURES

Decorative pyramidal hood
Illuminated push buttons control
EcoPower motor
3 speeds + 1 intensive
Free Outlet exhaust capacity (m³/h): 792
Intensive speed exhaust capacity (m³/h): 760
Max speed exhaust capacity (m³/h): 597
Min speed exhaust capacity (m³/h): 303
Intensive speed sound level (dBA): 73
Max speed sound level (dBA): 68
Min speed sound level (dBA): 54
1 LED lamp
3 Stainless Steel filters
Stop delay timer
Operating pilot light
Anti-return valve included
Outlet reduction included



DIMENSIONS

Product height (mm): 700-1100

Product width (mm): 900

Product depth (mm): 480

Product length (mm):

Net weight (Kg): 14,37

TECH SPECS

FEATURES

Certificates: CE; CB; Rohs
Ø Outlet (mm): 150
Type of inner light: LED
Inside light Consumption (W): 12
Plug type: Schuko plug
Power rate (V): 230
Frequency (Hz): 50
Total hood power (W): 292
Number of motors: 1
Motor power (W): 280
Air flow (Qmin) m³/h: 303
Air flow (Qmax): 597
Air flow (Qboost): 760

ACCESSORIES

Anti Return valve: Yes
Outlet reduction: Yes
Outlet extension: No
Optional Charcoal Filter: C1RTK
Regenerative charcoal filter: R1RTK
Conventional recirculation kit (opt) - w/tube cover: CFH 15200

L3C

Regenerative recirculation kit (opt) - w/tube cover: RFH 15200

L3C

MODELS

Number of filters: 3

Filter description: Stainless Steel filters MMX

Control panel: Electronic soft buttons

Stop delay timer: Yes

Number of speeds: 3+1



D 985

ENERGY LABEL

