



DBB 60 60cm Pyramidal Decorative Hood with push buttons controls



LED

DESCRIPTION

60cm Pyramidal Decorative Hood with push buttons controls

LIFE STYLE

Easy

COLOURS



REFERENCE

REF. 40460400
EAN. 8421152069608



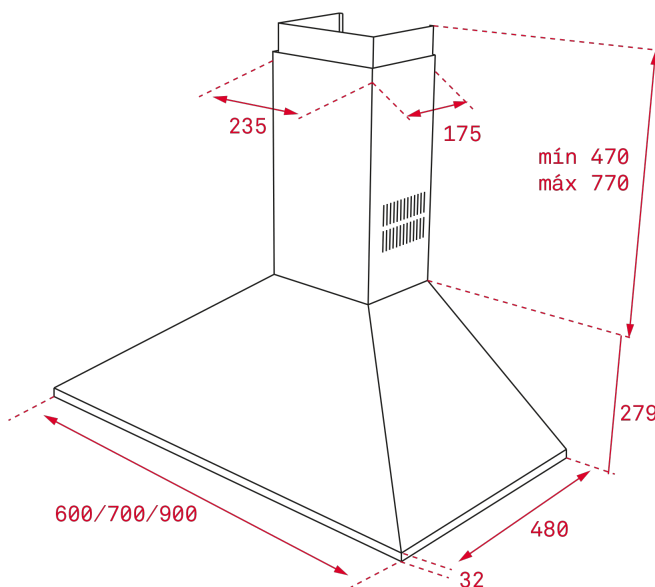
DBB 60

FEATURES

Decorative pyramidal hood
Push buttons control
3 speeds
Free Outlet exhaust capacity (m³/h): 475
Max speed exhaust capacity (m³/h): 380
Min speed exhaust capacity (m³/h): 234
Max speed sound level (dBA): 54
Min speed sound level (dBA): 44
2 LED lamps
2 Stainless Steel filters
Operating pilot light
Anti-return valve included
Outlet reduction included
Optional recirculation kit with tube cover installation: SET 1/M1
Optional Charcoal Filter: D4C

DIMENSIONS

Product height (mm): 749-1049
Product width (mm): 600
Product depth (mm): 480
Product length (mm):
Net weight (Kg): 6,9



TECH SPECS

PARTICULAR CHARACTERISTICS

Certificates: CE; CB
Ø Outlet (mm): 150
Type of inner light: LED
Inside light Consumption (W): 5
Plug type: European plug
Power rate (V): 220-240
Frequency (Hz): 50/60
Total hood power (W): 115
Number of motors: 1
Motor power (W): 105
Air flow (Qmin) m³/h: 234
Air flow (Qmax): 380
Air flow (Qboost): 0

ACCESSORIES

Anti Return valve: Yes
Outlet reduction: Yes
Outlet extension: No
Optional Charcoal Filter: C1RTK
Regenerative charcoal filter: R1RTK
Conventional recirculation kit (opt) - w/tube cover: CFH 15200

L2C

Regenerative recirculation kit (opt) - w/tube cover: RFH 15200

L2C

MODELS

Number of filters: 2

Filter description: Aluminum

Control panel: Mechanical push buttons

Number of speeds: 3



DBB 60

ENERGY LABEL

