



**C 6310** 60cm Classical integrated hood with 3 speeds and 1 motor



LED

**DESCRIPTION**

60cm Classical integrated hood with 3 speeds and 1 motor

**LIFE STYLE**

Easy

**COLOURS**



**REFERENCE**

REF. 40461541  
EAN. 8421152146064

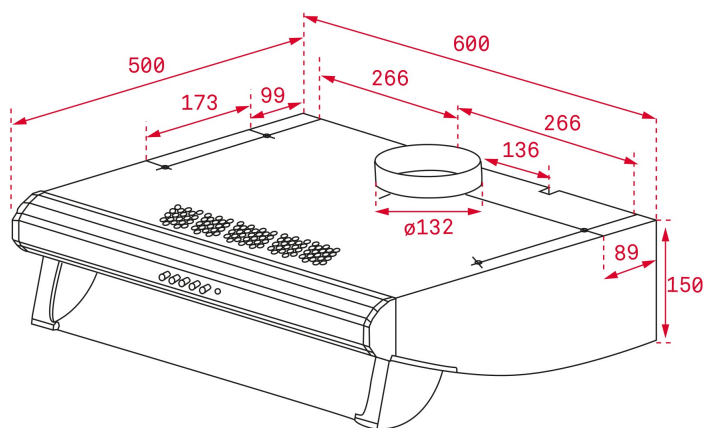


TEKA

C 6310

## FEATURES

Classic hood  
Touch slider control  
3 speeds  
Free Outlet exhaust capacity (m<sup>3</sup>/h): 254  
Max speed exhaust capacity (m<sup>3</sup>/h): 235  
Min speed exhaust capacity (m<sup>3</sup>/h): 124  
Max speed sound level (dBA): 66  
Min speed sound level (dBA): 49  
2 LED lamps  
2 aluminium filters  
Operating pilot light  
Anti-return valve included  
Optional Charcoal Filter: C2R



## DIMENSIONS

**Product height (mm):** 150  
**Product width (mm):** 600  
**Product depth (mm):** 500  
**Product length (mm):**  
**Net weight (Kg):** 6,65

## TECH SPECS

### PARTICULAR CHARACTERISTICS

**Certificates:** CE; CB; Rohs  
**Ø Outlet (mm):** 120  
**Type of inner light:** LED  
**Inside light Consumption (W):** 6  
**Plug type:** European plug  
**Power rate (V):** 230  
**Frequency (Hz):** 50  
**Total hood power (W):** 120  
**Number of motors:** 1  
**Motor power (W):** 108  
**Air flow (Qmin) m3/h:** 128  
**Air flow (Qmax):** 218

### ACCESSORIES

**Anti Return valve:** Yes  
**Outlet extension:** Yes  
**Optional Charcoal Filter:** C2R  
**Integration Frontal panel Code:** No  
**Conventional recirculation kit (opt) - w/tube cover:** No

## MODELS

**Number of filters:** 2

**Filter description:** Aluminum

**Control panel:** Mechanical Slider

**Number of speeds:** 3



C 6310

ENERGY LABEL

