



## C 6420 60cm Classical integrated Hood with 2 motors



LED

---

### DESCRIPTION

60cm Classical integrated Hood with 2 motors

### LIFE STYLE

Easy

### COLOURS



### REFERENCE

REF. 40465530  
EAN. 8421152146088

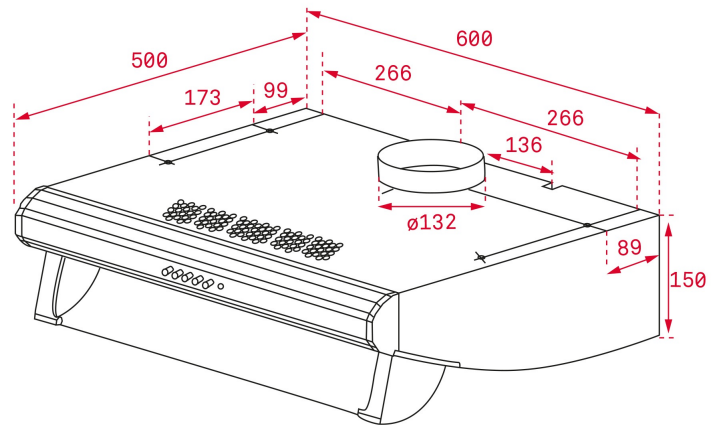


TEKA

C 6420

## FEATURES

Classic hood  
Push buttons control  
3 speeds  
Free Outlet exhaust capacity (m<sup>3</sup>/h):422  
Max speed exhaust capacity (m<sup>3</sup>/h):375  
Min speed exhaust capacity (m<sup>3</sup>/h): 141  
Max speed sound level (dBA): 73  
Min speed sound level (dBA): 60  
2 LED lamps  
2 aluminium filters  
Operating pilot light  
Fingerprint proof front panel  
Anti-return valve included  
Optional Charcoal Filter:C1R



## DIMENSIONS

**Product height (mm):** 150  
**Product width (mm):** 600  
**Product depth (mm):** 500  
**Product length (mm):**  
**Net weight (Kg):** 8,05

## TECH SPECS

### FEATURES

**Certificates:** CE; CB; Rohs  
**Ø Outlet (mm):** 120  
**Type of inner light:** LED  
**Inside light Consumption (W):** 6  
**Plug type:** European plug  
**Power rate (V):** 230  
**Frequency (Hz):** 50  
**Total hood power (W):** 200  
**Number of motors:** 2  
**Motor power (W):** 188  
**Air flow (Qmin) m<sup>3</sup>/h:** 187  
**Air flow (Qmax):** 353

### ACCESSORIES

**Anti Return valve:** Yes  
**Outlet extension:** Yes  
**Optional Charcoal Filter:** C1R  
**Integration Frontal panel Code:** No  
**Conventional recirculation kit (opt) - w/tube cover:** No

## MODELS

**Number of filters:** 2

**Filter description:** Aluminum

**Control panel:** Mechanical push buttons

**Number of speeds:** 3

**Fingerprint proof front panel:** Yes



C 6420

ENERGY LABEL

