



C 9420 90cm Classical integrated Hood with Finger Print Proof front panel



LED

DESCRIPTION

90cm Classical integrated Hood with Finger Print Proof front panel

LIFE STYLE

Easy

COLOURS



REFERENCE

REF. 40466250
EAN. 8421152146125

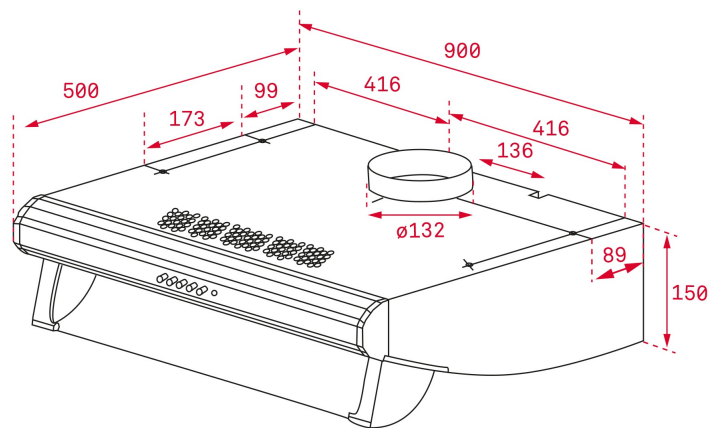


TEKA

C 9420

FEATURES

Classic hood
Push buttons control
3 speeds
Free Outlet exhaust capacity (m3/h):422
Max speed exhaust capacity (m3/h):375
Min speed exhaust capacity (m3/h): 141
Max speed sound level (dBA): 72
Min speed sound level (dBA): 60
2 LEDS lamps
3 aluminium filters
Operating pilot light
Fingerprint proof front panel
Anti-return valve included
Optional Charcoal Filter:C1R



DIMENSIONS

Product height (mm): 150
Product width (mm): 900
Product depth (mm): 500
Product length (mm):
Net weight (Kg): 9,93

TECH SPECS

FEATURES

Certificates: CE; CB; Rohs
Ø Outlet (mm): 120
Type of inner light: LED
Inside light Consumption (W): 6
Plug type: European plug
Power rate (V): 230
Frequency (Hz): 50
Total hood power (W): 200
Number of motors: 2
Motor power (W): 188
Air flow (Qmin) m3/h: 187
Air flow (Qmax): 353

ACCESSORIES

Anti Return valve: Yes
Outlet extension: Yes
Optional Charcoal Filter: C1R
Integration Frontal panel Code: No
Conventional recirculation kit (opt) - w/tube cover: No

MODELS

Number of filters: 3

Filter description: Aluminum

Control panel: Mechanical push buttons

Number of speeds: 3

Fingerprint proof front panel: Yes



C 9420

ENERGY LABEL

The energy label for the TEKA C 9420 model includes the following information:

- Brand and Model:** TEKA C 9420
- Energy Efficiency Class:** D (indicated by a black arrow pointing to the 'D' class on the scale)
- Energy Consumption:** 103 kWh/annum
- Energy Efficiency Scale:** A++, A+, A, B, C, D, E
- Additional Metrics:**
 - Energy Efficiency Index (EEI): 103 kWh/annum
 - Light Emission Class: F (indicated by a lightbulb icon)
 - Water Consumption Class: D (indicated by a water drop icon)
 - Sound Power Level: 73 dB (indicated by a speaker icon)
- Regulatory Information:** 65/2014 and 1231120-c