



**CC 485** 40 cm Tubular Island Hood Design with Touch Control and COPOWER motor



LED



Stop Delay  
Timer

**DESCRIPTION**

40 cm Tubular Island Hood Design with Touch Control and COPOWER motor

**LIFE STYLE**

Maestro

**COLOURS**

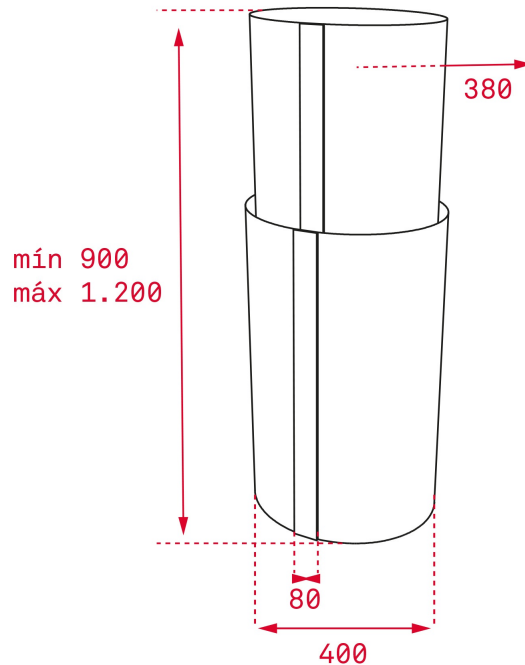


**REFERENCE**

REF. 40480330  
EAN. 8421152145869

**FEATURES**

Decorative tubular island hood  
Electronic control with display  
3 speeds + 1 intensive  
Free Outlet exhaust capacity (m<sup>3</sup>/h):920  
Intensive speed exhaust capacity (m<sup>3</sup>/h):771  
Max speed exhaust capacity (m<sup>3</sup>/h):525  
Min speed exhaust capacity (m<sup>3</sup>/h): 305  
Intensive speed sound level (dBA): 78  
Max speed sound level (dBA): 72  
Min speed sound level (dBA): 50  
2 LEDS lamps  
1 Stainless Steel filter  
Stop delay timer  
Filter saturation indicator  
Operating pilot light  
Anti-return valve included  
Outlet reduction included  
Optional recirculation kit with tube cover installation: SET 1/11  
Optional Charcoal Filter: D4C



## DIMENSIONS

**Product height (mm):** 900-1200

**Product width (mm):** 400

**Product depth (mm):** 400

**Product length (mm):**

**Net weight (Kg):** 21,5

## TECH SPECS

### FEATURES

**Certificates:** CE; CB  
**Ø Outlet (mm):** 150  
**Type of inner light:** LED  
**Inside light Consumption (W):** 3  
**Plug type:** European plug  
**Power rate (V):** 220240  
**Frequency (Hz):** 50  
**Total hood power (W):** 286  
**Number of motors:** 1  
**Motor power (W):** 280  
**Air flow (Qmin) m<sup>3</sup>/h:** 305  
**Air flow (Qmax):** 525  
**Air flow (Qboost):** 771

### ACCESSORIES

**Anti Return valve:** Yes  
**Outlet reduction:** Yes  
**Optional Charcoal Filter:** D4C  
**Conventional recirculation kit (opt) - w/tube cover:** SET 1/11

## MODELS

**Number of filters:** 1

**Filter description:** Stainless Steel filters

**Control panel:** Touch control

**Stop delay timer:** Yes

**Filter saturation indicator:** Yes

**Number of speeds:** 3+1



CC 485

ENERGY LABEL

The energy label for the TEKA CC 485 INOX model is a vertical rectangular sticker with a blue border. At the top left is the European Union flag. To its right, the word "ENERG" is written in large blue letters, with "енергия · енергія" in smaller text below it. Further right are two circular icons: one with "Y IJA" and another with "IE IA". Below this header, the brand name "TEKA" and model "CC 485 INOX" are printed. The central part of the label features a vertical scale of energy efficiency classes from A+ (green) at the top to F (red) at the bottom. A black arrow points to the 'A' class. To the right of the scale, a white box contains the number "45" and the unit "kWh/annum". At the bottom, there are four icons in separate boxes: a fan, a lightbulb, water droplets, and a speaker. Each icon has a corresponding energy class label below it: "A B C D E F", "A B C D E F", "A B C D E F", and "72 dB". The reference number "65/2014" is printed at the very bottom.