



**DLH 686 T** 60cm Decorative A+ Hood with Touch Cntrl display and ECOPOWER motor



LED



Stop Delay  
Timer

**DESCRIPTION**

60cm Decorative A+ Hood with Touch Cntrl display and ECOPOWER motor

**LIFE STYLE**

Maestro

**COLOURS**

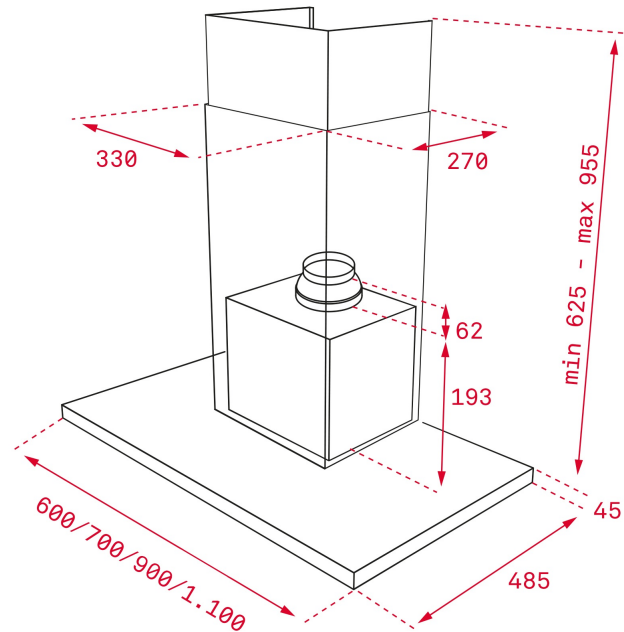


**REFERENCE**

REF. 40487180  
EAN. 8421152157428

**FEATURES**

Decorative horizontal hood  
Electronic control with display  
3 speeds + 1 intensive  
Free Outlet exhaust capacity (m<sup>3</sup>/h): 920  
Intensive speed exhaust capacity (m<sup>3</sup>/h): 701  
Max speed exhaust capacity (m<sup>3</sup>/h): 584  
Min speed exhaust capacity (m<sup>3</sup>/h): 303  
Intensive speed sound level (dBA): 60  
Max speed sound level (dBA): 57  
Min speed sound level (dBA): 53  
1 LED lamp  
2 Stainless Steel filters  
Stop delay timer  
Filter saturation indicator  
Operating pilot light  
Anti-return valve included  
Outlet reduction included



## DIMENSIONS

**Product height (mm):** 670-1000

**Product width (mm):** 600

**Product depth (mm):** 480

**Product length (mm):**

**Net weight (Kg):** 13,37

## TECH SPECS

### FEATURES

**Certificates:** CE; CB; Rohs  
**Ø Outlet (mm):** 150  
**Type of inner light:** LED  
**Inside light Consumption (W):** 6  
**Plug type:** Schuko plug  
**Power rate (V):** 220240  
**Frequency (Hz):** 50  
**Total hood power (W):** 271  
**Number of motors:** 1  
**Motor power (W):** 265  
**Air flow (Qmin) m<sup>3</sup>/h:** 303  
**Air flow (Qmax):** 584  
**Air flow (Qboost):** 701

### ACCESSORIES

**Anti Return valve:** Yes  
**Outlet reduction:** Yes  
**Outlet extension:** No  
**Optional Charcoal Filter:** C1RTK  
**Regenerative charcoal filter:** R1RTK  
**Conventional recirculation kit (opt) - w/tube cover:** CFH 15200

L3C

**Regenerative recirculation kit (opt) - w/tube cover:** RFH 15200

L3C

## **MODELS**

**Number of filters:** 2

**Filter description:** Stainless Steel filters

**Control panel:** Touch control

**Stop delay timer:** Yes

**Filter saturation indicator:** Yes

**Number of speeds:** 3+1



DLH 686 T

ENERGY LABEL

