



DLH 786 T 70cm Decorative A+ Hood with Touch Cntrl display and ECOPOWER motor



LED



Stop Delay
Timer

DESCRIPTION

70cm Decorative A+ Hood with Touch Cntrl display and ECOPOWER motor

LIFE STYLE

Maestro

COLOURS

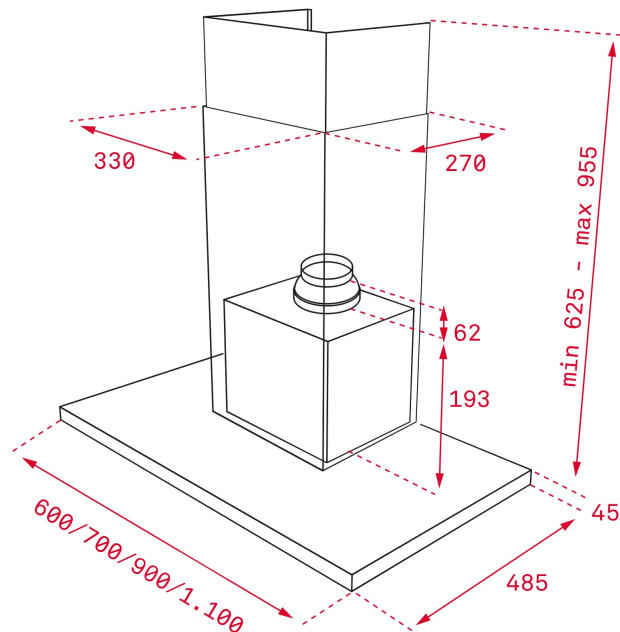


REFERENCE

REF. 40487181
EAN. 8421152157435

FEATURES

Decorative horizontal hood
Electronic control with display
3 speeds + 1 intensive
Free Outlet exhaust capacity (m³/h): 920
Intensive speed exhaust capacity (m³/h): 701
Max speed exhaust capacity (m³/h): 584
Min speed exhaust capacity (m³/h): 303
Intensive speed sound level (dBA): 60
Max speed sound level (dBA): 57
Min speed sound level (dBA): 53
1 LED lamp
2 Stainless Steel filters
Stop delay timer
Filter saturation indicator
Operating pilot light
Anti-return valve included
Outlet reduction included



DIMENSIONS

Product height (mm): 670-1000

Product width (mm): 700

Product depth (mm): 480

Product length (mm):

Net weight (Kg): 14,02

TECH SPECS

PARTICULAR CHARACTERISTICS

Certificates: CE; CB; Rohs
Ø Outlet (mm): 150
Type of inner light: LED
Inside light Consumption (W): 6
Plug type: Schuko plug
Power rate (V): 220240
Frequency (Hz): 50
Total hood power (W): 271
Number of motors: 1
Motor power (W): 265
Air flow (Qmin) m³/h: 303
Air flow (Qmax): 584
Air flow (Qboost): 701

ACCESSORIES

Anti Return valve: Yes
Outlet reduction: Yes
Outlet extension: No
Optional Charcoal Filter: C1RTK
Regenerative charcoal filter: R1RTK
Conventional recirculation kit (opt) - w/tube cover: CFH 15200

L3C

Regenerative recirculation kit (opt) - w/tube cover: RFH 15200

L3C

MODELS

Number of filters: 2

Filter description: Stainless Steel filters

Control panel: Touch control

Stop delay timer: Yes

Filter saturation indicator: Yes

Number of speeds: 3+1



DLH 786 T

ENERGY LABEL

The image shows a standard European Energy Label for a TEKA DLH 686/786 T. The label is rectangular with a blue border and contains the following information:

- Top Left:** European Union flag and the word "ENERG" in large letters, with "енергия · енергiя" below it. To the right are two small circular icons: one with "Y" and "JA" and another with "IE" and "IA".
- Brand and Model:** "TEKA" on the left and "DLH 686/786 T" on the right.
- Energy Efficiency Scale:** A vertical bar on the left shows seven energy efficiency classes from A+ (top, green) to F (bottom, red). A black arrow on the right points to the A+ class.
- Annual Energy Consumption:** A box on the right contains the number "41" and "kWh/annum" below it.
- Additional Metrics:** Four icons in a row at the bottom represent different metrics: a fan (labeled A_{BCDEFG}), a lightbulb (labeled A_{BCDEFG}), water droplets (labeled A_{BCDEFG}), and a speaker (labeled 69_{dB}).
- Bottom Left:** The text "65/2014".
- Bottom Right:** A small number "1130190".