



DLH 986 T 90cm Decorative A+ Hood with Touch Cntrl display and ECOPOWER motor



LED



Stop Delay
Timer

DESCRIPTION

90cm Decorative A+ Hood with Touch Cntrl display and ECOPOWER motor

LIFE STYLE

Maestro

COLOURS

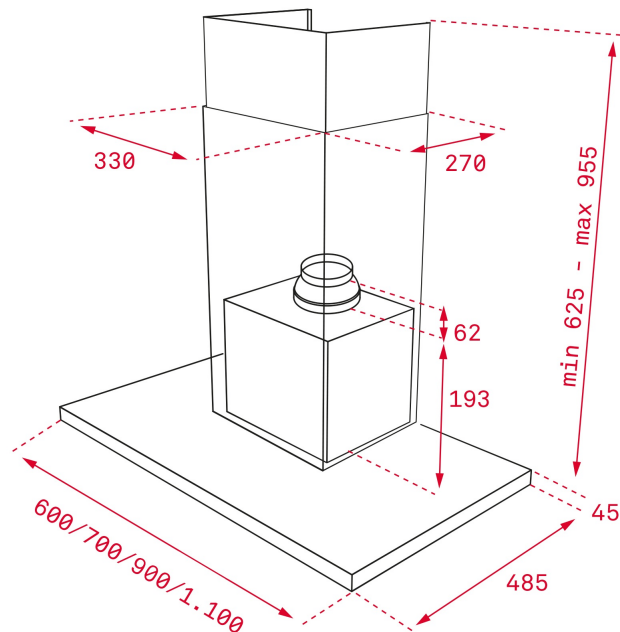


REFERENCE

REF. 40487182
EAN. 8421152157442

FEATURES

Decorative horizontal hood
Electronic control with display
3 speeds + 1 intensive
Free Outlet exhaust capacity (m³/h): 920
Intensive speed exhaust capacity (m³/h): 701
Max speed exhaust capacity (m³/h): 584
Min speed exhaust capacity (m³/h): 303
Intensive speed sound level (dBA): 60
Max speed sound level (dBA): 57
Min speed sound level (dBA): 53
1 LED lamp
3 Stainless Steel filters
Stop delay timer
Filter saturation indicator
Operating pilot light
Anti-return valve included
Outlet reduction included



DIMENSIONS

Product height (mm): 670-1000

Product width (mm): 900

Product depth (mm): 480

Product length (mm):

Net weight (Kg): 15,33

TECH SPECS

FEATURES

Certificates: CE; CB; Rohs
Ø Outlet (mm): 150
Type of inner light: LED
Inside light Consumption (W): 6
Plug type: Schuko plug
Power rate (V): 220240
Frequency (Hz): 50
Total hood power (W): 271
Number of motors: 1
Motor power (W): 265
Air flow (Qmin) m³/h: 303
Air flow (Qmax): 584
Air flow (Qboost): 701

ACCESSORIES

Anti Return valve: Yes
Outlet reduction: Yes
Outlet extension: No
Optional Charcoal Filter: C1RTK
Regenerative charcoal filter: R1RTK
Conventional recirculation kit (opt) - w/tube cover: CFH 15200

L3C

Regenerative recirculation kit (opt) - w/tube cover: RFH 15200

L3C

MODELS

Number of filters: 3

Filter description: Stainless Steel filters

Control panel: Touch control

Stop delay timer: Yes

Filter saturation indicator: Yes

Number of speeds: 3+1



DLH 986 T

ENERGY LABEL

The image shows a standard European Energy Label for a TEKA DLH 986/1186 T. The label is rectangular with a blue border and contains the following information:

- Header:** The European Union flag, the word "ENERG" in large letters, and "енергия - енерґія" in smaller letters below it. To the right are two circular icons: one with "Y IJA" and another with "IE IA".
- Brand and Model:** "TEKA" on the left and "DLH 986/1186 T" on the right.
- Energy Efficiency Scale:** A vertical bar on the left shows efficiency levels from A++ (top, green) to E (bottom, red). A black arrow on the right points to the A+ level.
- Annual Energy Consumption:** A box on the right contains the number "41" and "kWh/annum" below it.
- Additional Metrics:** Four icons at the bottom represent different metrics, each with a scale from A to G:
 - Icon 1 (fan): A scale from A to G.
 - Icon 2 (lightbulb): A scale from A to G.
 - Icon 3 (water drops): A scale from A to G.
 - Icon 4 (speaker): A scale from A to G.
- Bottom Left:** The text "65/2014" is printed at the bottom left corner.