



**DPS 786** 70cm A+ Decorative Hood with Contour Rim extraction and ECOPOWER motor



LED



Perimeter extraction



Stop Delay Timer

**DESCRIPTION**

70cm A+ Decorative Hood with Contour Rim extraction and ECOPOWER motor

**LIFE STYLE**

Maestro

**COLOURS**



**REFERENCE**

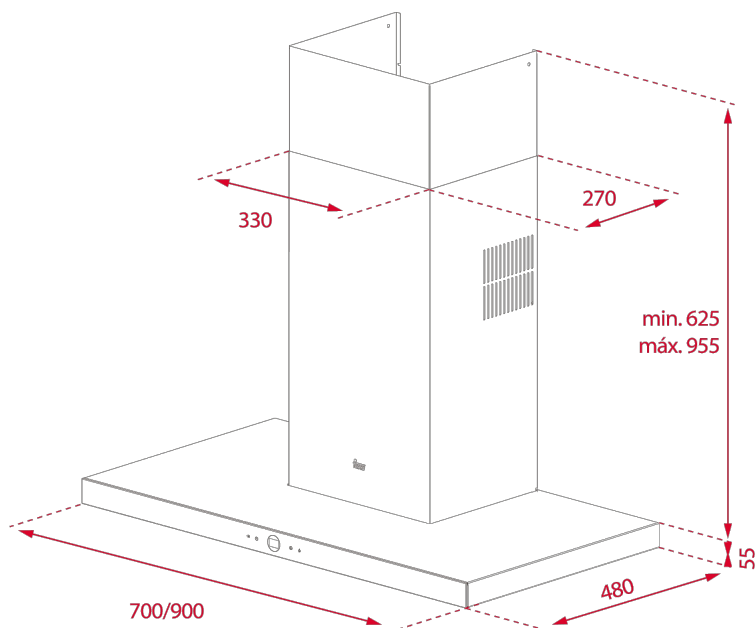
REF. 40483016  
EAN. 8421152157466



## DPS 786

### FEATURES

Decorative horizontal hood  
Electronic control with display  
Rim extraction  
3 speeds + 1 intensive  
Free Outlet exhaust capacity (m<sup>3</sup>/h): 920  
Intensive speed exhaust capacity (m<sup>3</sup>/h): 782  
Max speed exhaust capacity (m<sup>3</sup>/h): 629  
Min speed exhaust capacity (m<sup>3</sup>/h): 331  
Intensive speed sound level (dBA): 65  
Max speed sound level (dBA): 55  
Min speed sound level (dBA): 45  
1 LED lamp  
2 Aluminum filters  
Stop delay timer  
Filter saturation indicator  
Operating pilot light  
Anti-return valve included  
Outlet reduction included  
Optional recirculation kit with tube cover installation: SET 1/N1  
Optional Charcoal Filter: D4C



## DIMENSIONS

**Product height (mm):** 690-1010

**Product width (mm):** 900

**Product depth (mm):** 480

**Product length (mm):**

**Net weight (Kg):** 14,02

## TECH SPECS

### FEATURES

**Certificates:** CE; CB; Rohs  
**Ø Outlet (mm):** 150  
**Type of inner light:** LED  
**Inside light Consumption (W):** 1.6  
**Plug type:** Schuko plug  
**Power rate (V):** 220/240  
**Frequency (Hz):** 50  
**Total hood power (W):** 271  
**Number of motors:** 1  
**Motor power (W):** 265  
**Air flow (Qmin) m<sup>3</sup>/h:** 320  
**Air flow (Qmax):** 589  
**Air flow (Qboost):** 722

### ACCESSORIES

**Anti Return valve:** Yes  
**Outlet reduction:** Yes  
**Optional Charcoal Filter:** C1RTK  
**Regenerative charcoal filter:** R1RTK  
**Conventional recirculation kit (opt) - w/tube cover:** CFH 15200 L2C

**Regenerative recirculation kit (opt) - w/tube cover:** RFH 15200  
L2C

**MODELS**

**Number of filters:** 2

**Filter description:** inox panel; aluminum filters bellow

**Control panel:** Electronic soft bottons with display

**Stop delay timer:** Yes

**Filter saturation indicator:** Yes

**Time clock:** Yes

**Number of speeds:** 3+1



DPS 786

ENERGY LABEL

