



DPL 986 T 90cm Decorative Hood with Aspiration timer



LED



Perimeter
extraction



Stop Delay
Timer

DESCRIPTION

90cm Decorative Hood with Aspiration timer

LIFE STYLE

Maestro

COLOURS

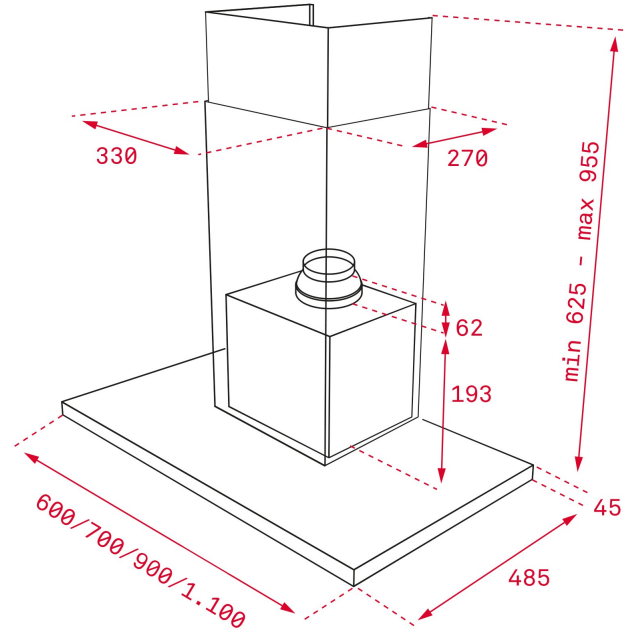


REFERENCE

REF. 40483131
EAN. 8421152157497

FEATURES

Decorative horizontal hood
Electronic control with display
Rim extraction
3 speeds + 1 intensive
Free Outlet exhaust capacity (m³/h): 920
Intensive speed exhaust capacity (m³/h): 782
Max speed exhaust capacity (m³/h): 629
Min speed exhaust capacity (m³/h): 331
Intensive speed sound level (dBA): 65
Max speed sound level (dBA): 55
Min speed sound level (dBA): 45
1 LED lamp
3 Aluminum filters
Stop delay timer
Filter saturation indicator
Operating pilot light
Anti-return valve included
Outlet reduction included
Optional recirculation kit with tube cover installation:SET 1/N1
Optional Charcoal Filter: D4C



DIMENSIONS

Product height (mm): 690-1010

Product width (mm): 900

Product depth (mm): 480

Product length (mm):

Net weight (Kg): 15,33

TECH SPECS

PARTICULAR CHARACTERISTICS

Certificates: CE; CB; Rohs
Ø Outlet (mm): 150
Type of inner light: LED
Inside light Consumption (W): 6
Plug type: Schuko plug
Power rate (V): 220240
Frequency (Hz): 50
Total hood power (W): 271
Number of motors: 1
Motor power (W): 265
Air flow (Qmin) m3/h: 320
Air flow (Qmax): 589
Air flow (Qboost): 722

ACCESSORIES

Anti Return valve: Yes
Outlet reduction: Yes
Optional Charcoal Filter: C1RTK
Regenerative charcoal filter: R1RTK
Conventional recirculation kit (opt) - w/tube cover: CFH 15200 L2C

Regenerative recirculation kit (opt) - w/tube cover: RFH 15200
L2C

MODELS

Number of filters: 3

Filter description: inox panel(glass?); aluminum filters below

Control panel: Touch control

Stop delay timer: Yes

Filter saturation indicator: Yes

Number of speeds: 3+1



DPL 986 T

ENERGY LABEL

