



MTP 915 Kitchen Tap Mixer with high cast swivel spout



Anti-Scale
Aerator



Swivel Spout

DESCRIPTION

Kitchen Tap Mixer with high cast swivel spout

LIFE STYLE

Easy

COLOURS



REFERENCE

REF. 469150200
EAN. 8421152084823

The logo consists of a red square with the word "TEKA" in white, bold, uppercase letters.

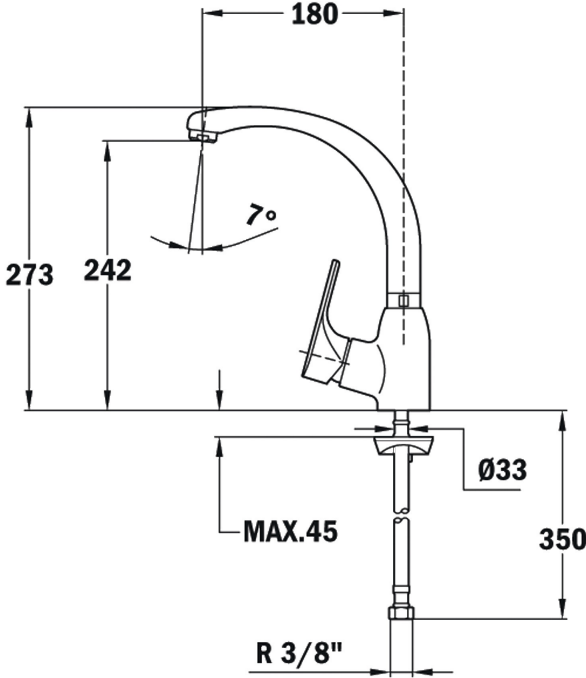
MTP 915

FEATURES

High spout kitchen tap
Cast swivel spout
Anti-scale aerator
Cartridge with ceramic discs of high resistance
Highly precise temperature control
Greater handling sensitivity with smoother movements
3/8" flexible inlet pipes



MTP 915



DIMENSIONS

- Product height (mm): 273
- Product width (mm):
- Product depth (mm):
- Product length (mm):
- Net weight (Kg): 1,95

TECH SPECS

MODELS

Type of installation: Free standing

