



Stone 80 B-TG 2B 1D Inset Tegr granite sink with two bowls and one drainer



200mm depth



Colour Intensity



Easy Clean



Food safe



High resistance

DESCRIPTION

Inset Tegr granite sink with two bowls and one drainer

COLOURS



REFERENCE

REF. 115400009
EAN. 8434778004915



TEKA

Stone 80 B-TG 2B 1D

FEATURES

Stone Series

Tegranite+ sink

Two bowls and one drainer

High resistance surface to impacts, thermal shocks and high temperatures

Excellent UV resistance against decoloring

Bacteria-free surface very easy to clean

Inset installation

80% quartz and resins

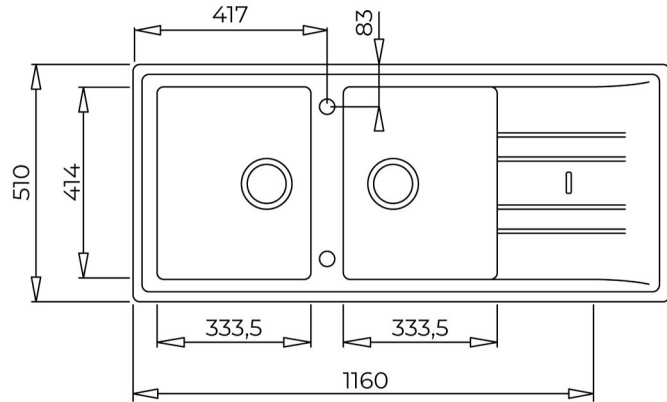
3½" automatic basket waste with siphon

200 mm deep bowls

80 cm base unit

DIMENSIONS

Product height (mm):
Product width (mm): 510
Product depth (mm): 200
Product length (mm): 1160
Net weight (Kg): 18,5



TECHNICAL DETAILS

MAIN BOWL

Main Bowl Length (mm): 334
Main Bowl Width (mm): 414
Main Bowl Depth (mm): 200

OTHER FEATURES

Material: Tegrinite+
Type of installation: Inset
Number of tap holes: Pre-Drilled
Valve hole type: 3½"
Overflow hole: Round
Sink Bowl / Top thickness (mm): 10/7

OTHERS

Base unit (cm): 80

SECONDARY BOWL

Secondary Bowl Length (mm): 334
Secondary Bowl Width (mm): 414
Secondary Bowl Depth (mm): 200

SINK LAY OUT

Number of bowls: 2
Number of drainers: 1
Drainer position: Reversible

ACCESSORIES

Installation clips: Yes

Siphon: Yes

