



The kitchen is where small things **become essential**



COMPACTS



TEKA

TEKA

TEKA

TEKA



Infinite possibilities for limited space

May all your wishes come true

Smallest details are usually very important, and so it happens with Teka compacts in your kitchen. Not only because of an amazing style and design, but also thanks to their many features. Countless possibilities, infinite advantages with a compact size that is huge in performance. Teka combines smart solutions in hardly 45 centimetres. You can use it as a regular oven or a microwave, and it has temperature functions to suit all your needs as the chef you are at home.



All the functions of a regular oven in just 60 centimetres. Microwaves of 45 centimetres, coffee machines, steamers or even combi ovens with microwave features to find the best combination in your kitchen.



Coffe Machine

Coffee made to impress

Share unique moments around a cup of exquisite espresso or cappuccino. Our automatic coffee machine adds an exclusive touch of personality and refinement, while amplifying the aromas and flavours of your favourite blends. Choose among built-in capsule coffee machines or with coffee grinder. Because great conversations start with delicious coffee.
















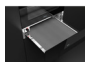
Vacuum sealer

Freshness in your food

Keep the flavour and nutrients longer. With vacuum packaging we remove air from inside to create a barrier for oxygen and humidity. Taking care of yourself feels good. Different combinations are possible with the compact range. The plate warmer en white or black glass is the perfect match for you compact oven or microwave.

Compacts

Minimum consumption, highly accurate and very easy to use.

		MAESTRO			
		TFT 4"	TOUCH CONTROL DISPLAY LED		
MULTIFUNCTION SURROUNDTEMP	COFFEE MACHINE	 CLC 835 MC			
	COMBI: OVENS + MICROWAVES	 HLC 847 C			
	HYDROCLEAN PRO	 HLC 8400	 HLC 8400	 HLC 8400	
	STEAMER + OVENS	 HLC 847 SC	 HLC 8471 SC	 HLC 8471 SC	
	STEAMER	 HLC 8471 S			 HLC 8471 S
	MICROWAVES	 MLC 8440	 MLC 8440		
	VACUUM SEALING MACHINE				 VS 1520 GS
	PLATE WARMER				 CP 150 GS

MAESTRO







Domestic appliances for those who like going one step further. For those who will not settle for being like the rest.

TOTAL

Designed for those who demand everything of their appliances, for everyone in the house. Maximum effectiveness in any situation.

EASY

For those who prefer no complications in the kitchen without denying themselves an appliance that gives so much while asking for so little in return.

			TOTAL		
LCD DISPLAY			TOUCH CONTROL DISPLAY LED	ANALOGIC	
					
CLC 855 GM	CLC 855 GM	CLC 855 GM			
					
HSC 644 S					
					
MWR 32 BIA ATS					
					
MWR 32 BIA AT					
					
MWR 32 BIA VNS					
					
MWR 32 BIA VN					

COMPACTS

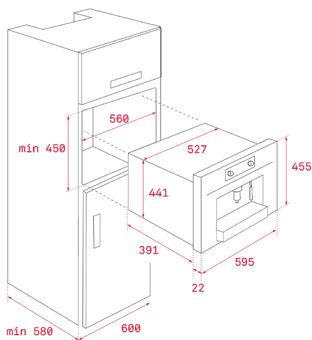


NEW

MAESTRO CLC 855 GM



- Urban Colors Edition
- Automatic coffee machine
- Self-cleaning function
- Intensity, temperature and quantity of coffee regulation
- Electronic control display
- Telescopic rails for an easy pull out of the coffee maker
- 30 automatic programs
- Automatic LED lights
- Capacity: 2 cups at once
- Easy removable drawer for coffee grounds
- 15 bar pump pressure
- Adjustable coffee, steam, and hot water pipes
- Integrated steel grinder for natural coffee beans (13 different ground positions)
- Coffee beans container, 200 beans capacity
- Pre-grounded coffee container
- 1,8 litres water tank
- Automatic decalcifier



COLOUR

Glass Stone Grey

FRAME Infinity glass

EXTERNAL DIMENSIONS

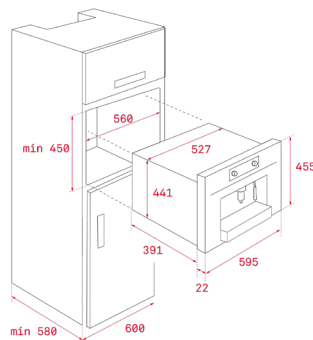
Height 455mm **Width** 592mm **Depth** mm

NEW

MAESTRO CLC 855 GM



- Urban Colors Edition
- Automatic coffee machine
- Self-cleaning function
- Intensity, temperature and coffee quantity regulation
- Electronic control display
- Telescopic rails for an easy pull out of the coffee maker
- 30 automatic programs
- Automatic LED lights
- Capacity: 2 cups at once
- Easy removable container for coffee grounds
- 15 bar pump pressure
- Adjustable coffee, steam, and hot water pipes
- Integrated steel grinder for natural coffee beans (13 different ground positions)
- Coffee beans container, 200 gr capacity
- Pre-grounded coffee container
- 1,8 litres water tank
- Automatic decalcifier



COLOUR

Glass Steam Grey

FRAME Infinity glass

EXTERNAL DIMENSIONS

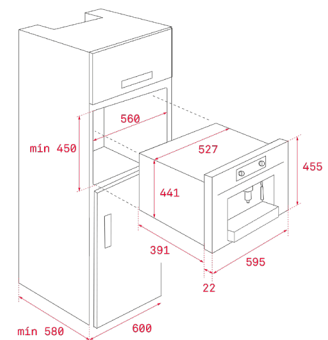
Height 455mm **Width** 592mm **Depth** mm

NEW

MAESTRO CLC 855 GM



- Automatic coffee machine
- Self-cleaning function
- Intensity, temperature and quantity of coffee regulation
- Electronic control display
- Telescopic rails for an easy pull out of the coffee maker
- 30 automatic programs
- Automatic LED lights
- Capacity: 2 cups at once
- Easy removable container for coffee grounds
- 15 bar pump pressure
- Adjustable coffee, steam, and hot water pipes
- Integrated steel grinder for natural coffee beans (13 different ground positions)
- Coffee beans container, 200 gr capacity
- Pre-grounded coffee container
- 1,8 litres water tank
- Automatic decalcifier



COLOUR

Glass Reflex

FRAME Infinity glass

EXTERNAL DIMENSIONS

Height 455mm **Width** 592mm **Depth** mm

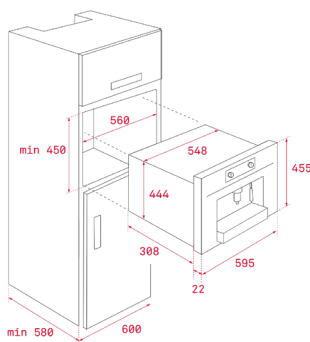


NEW

MAESTRO CLC 835 MC



- Multi capsule (*) and ground coffee machine
- Coffee selector (small/medium/large/extra large-infusions)
- Electronic control panel with TFT display
- 5 adapters included
- Automatic LED lights
- Capacity: 1 cup
- Adjustable height cup support
- Temperature selector
- Storage drawer
- 2 side storage compartments
- Drip tray
- 19 bar pump pressure
- 1 litre water tank
- Waste container
- Automatic decalcifier



COLOUR

Glass White

FRAME Stainless steel

EXTERNAL DIMENSIONS

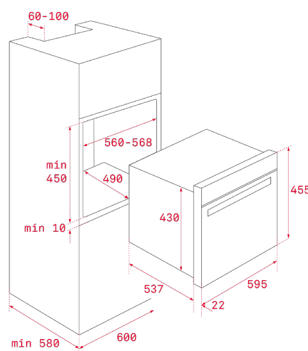
Height 455mm Width 595mm Depth 330mm

NEW

TOTAL HLC 847 S



- Steam oven
- True colour TFT 4" display with digital timer
- Steam cooking 30-100°C
- 1 Plus-Extension telescopic guide, 5 cooking levels
- Personal cooking assistant (20 pre-programmed recipes)
- Automatic temperature and time suggestion for each function
- 1 litre water tank
- Sterilization and regeneration functions
- MeatProbe
- Triple glazed door
- SoftClose system
- Door opening security disconnection
- Tangential ventilation
- 2 Gastronorm with tray
- Deep tray, stainless steel perforated tray and reinforced grid (with anti-tip system)



COLOUR

Glass Black

FRAME Stainless steel

EXTERNAL DIMENSIONS

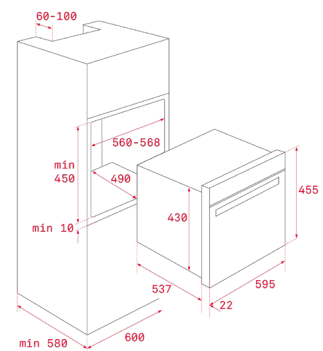
Height 455mm Width 595mm Depth 559mm

NEW

MAESTRO HLC 8471 S



- Urban Colors Edition
- Steam oven
- True colour TFT 4" display with digital timer
- Steam cooking 30-100°C
- 1 Plus-Extension telescopic guide, 5 cooking levels
- Personal cooking assistant (20 pre-programmed recipes)
- Automatic temperature and time suggestion for each function
- 1 litre water tank
- Sterilization and regeneration functions
- MeatProbe
- Triple glazed door
- SoftClose system
- Door opening security disconnection
- Tangential ventilation
- 2 Gastronorm with tray
- Deep tray, stainless steel perforated tray and reinforced grid (with anti-tip system)



COLOUR

Glass Steam Grey

FRAME Infinity glass

EXTERNAL DIMENSIONS

Height 455mm Width 595mm Depth 559mm

COMPACTS

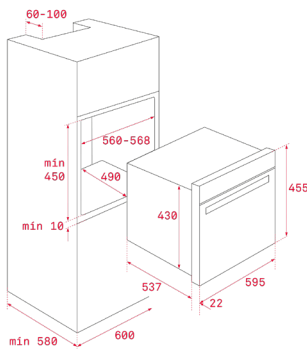


NEW

MAESTRO HLC 8471 S



- Steam oven
- True colour TFT 4" display with digital timer
- Steam cooking 30-100°C
- 1 Plus-Extension telescopic guide, 5 cooking levels
- Personal cooking assistant (20 pre-programmed recipes)
- Automatic temperature and time suggestion for each function
- 1 litre water tank
- Sterilization and regeneration functions
- MeatProbe
- Triple glazed door
- SoftClose system
- Door opening security disconnection
- Tangential ventilation
- 2 Gastronorm with tray
- Deep tray, stainless steel perforated tray and reinforced grid (with anti-tip system)



COLOUR

Glass Reflex

FRAME Infinity glass

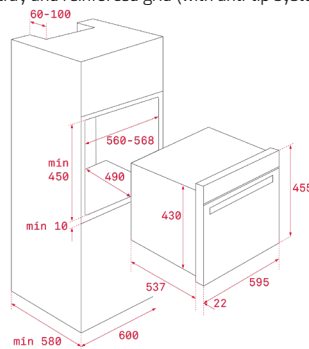
EXTERNAL DIMENSIONS

Height 455mm **Width** 595mm **Depth** 559mm

MAESTRO HLC 847 SC



- Multifunction + steam oven
- HydroClean® PRO auto cleaning system
- Multifunction SurroundTemp - 15 cooking functions
- Steam cooking 30-100°C
- True colour TFT 4" display with digital timer
- 1 Plus-Extension telescopic guide, 5 cooking levels
- Personal cooking assistant (20 pre-programmed recipes)
- Automatic temperature and time suggestion for each function
- Slow cook function & Automatic fast heating
- Sterilization and regeneration functions
- MeatProbe
- 1 litre water tank
- Triple glazed door
- SoftClose system
- Door opening security disconnection
- Tangential ventilation
- 2 Gastronorm with tray, deep tray, stainless steel perforated tray and reinforced grid (with anti-tip system)



COLOUR

Glass Black

FRAME Stainless steel

EXTERNAL DIMENSIONS

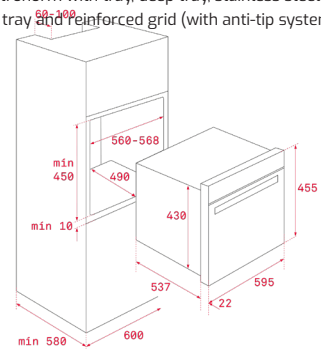
Height 455mm **Width** 595mm **Depth** 559mm

NEW

MAESTRO HLC 8471 SC



- Urban Colors Edition
- Multifunction + steam oven
- HydroClean® PRO auto cleaning system
- Multifunction SurroundTemp - 15 cooking functions
- Steam cooking 30-100°C
- True colour TFT 4" display with digital timer
- 1 Plus-Extension telescopic guide, 5 cooking levels
- Personal cooking assistant (20 pre-programmed recipes)
- Automatic temperature and time suggestion for each function
- Slow cook function & Automatic fast heating
- Sterilization and regeneration functions
- MeatProbe
- 1 litre water tank
- Triple glazed door
- SoftClose system
- Door opening security disconnection
- Tangential ventilation
- 2 Gastronorm with tray, deep tray, stainless steel perforated tray and reinforced grid (with anti-tip system)



COLOUR

Glass Steam Grey

FRAME Infinity glass

EXTERNAL DIMENSIONS

Height 455mm **Width** 595mm **Depth** 559mm

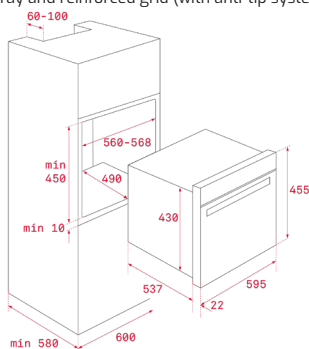


NEW

MAESTRO HLC 8471 SC



- Multifunction + steam oven
- HydroClean® PRO auto cleaning system
- Multifunction SurroundTemp - 15 cooking functions
- Steam cooking 30-100°C
- True colour TFT 4" display with digital timer
- 1 Plus-Extension telescopic guide, 5 cooking levels
- Personal cooking assistant (20 pre-programmed recipes)
- Automatic temperature and time suggestion for each function
- Slow cook function & Automatic fast heating
- Sterilization and regeneration functions
- MeatProbe
- 1 litre water tank
- Triple glazed door
- SoftClose system
- Door opening security disconnection
- Tangential ventilation
- 2 Gastronorm with tray, deep tray, stainless steel perforated tray and reinforced grid (with anti-tip system)



COLOUR

Glass Reflex

FRAME Infinity glass

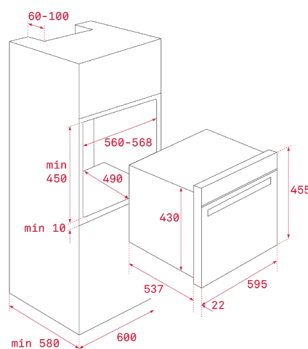
EXTERNAL DIMENSIONS

Height 455mm Width 595mm Depth 559mm

MAESTRO HLC 847 C



- Multifunction + Microwave oven
- HydroClean® PRO auto cleaning system
- Multifunction SurroundTemp - 16 cooking functions
- True colour TFT 4" display with digital timer
- Five cooking levels
- Personal cooking assistant (20 pre-programmed recipes)
- Automatic temperature and time suggestion for each function
- Slow cook function
- Automatic fast heating
- Microwave, Pizza, and ECO functions
- Defrosting based on time and weight
- Triple glazed door
- SoftClose system
- Door opening security disconnection
- Tangential ventilation
- Glass tray and reinforced grid (with anti-tip system)



COLOUR

Glass Black

FRAME Stainless steel

EXTERNAL DIMENSIONS

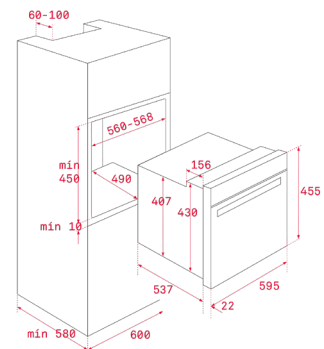
Height 455mm Width 595mm Depth 559mm

NEW

MAESTRO HLC 8400



- Urban Colors Edition
- HydroClean CristalColor Compact
- HydroClean® PRO auto cleaning system
- SurroundTemp multifunction - 9 cooking functions
- Touch Control with electronic timer
- 1 Plus-Extension telescopic guide, 5 cooking levels
- Fast heating
- Triple glazed door
- Dynamic ventilation
- Deep tray and reinforced grid (with anti-tip system)



COLOUR

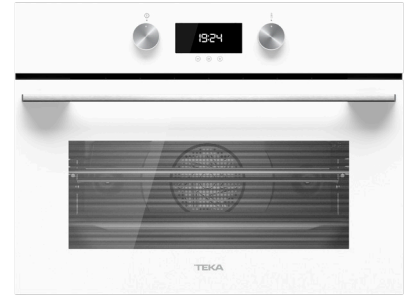
Glass Black

FRAME Infinity glass

EXTERNAL DIMENSIONS

Height 455mm Width 595mm Depth 537+22mm

COMPACTS



NEW

MAESTRO HLC 8400



- Urban Colors Edition
- HydroClean CristalColor Compact
- HydroClean® PRO auto cleaning system
- SurroundTemp multifunction - 9 cooking functions
- Touch Control with electronic timer
- 1 Plus-Extension telescopic guide, 5 cooking levels
- Fast heating
- Triple glazed door
- Dynamic ventilation
- Deep tray and reinforced grid (with anti-tip system)

NEW

MAESTRO HLC 8400



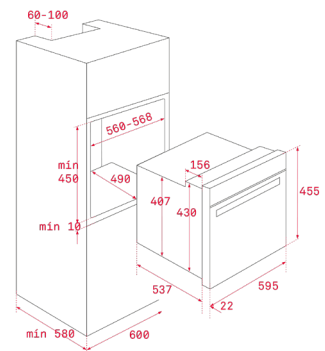
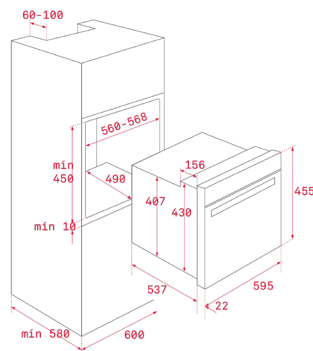
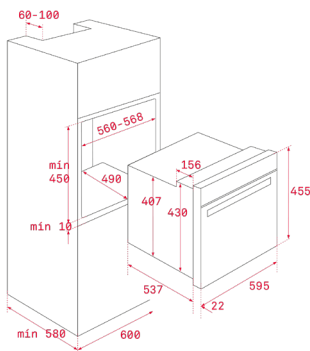
- Urban Colors Edition
- HydroClean CristalColor Compact
- HydroClean® PRO auto cleaning system
- SurroundTemp multifunction - 9 cooking functions
- Touch Control with electronic timer
- 1 Plus-Extension telescopic guide, 5 cooking levels
- Fast heating
- Triple glazed door
- Dynamic ventilation
- Deep tray and reinforced grid (with anti-tip system)

NEW

MAESTRO HLC 8400



- Urban Colors Edition
- HydroClean CristalColor Compact
- HydroClean® PRO auto cleaning system
- SurroundTemp multifunction - 9 cooking functions
- Touch Control with electronic timer
- 1 Plus-Extension telescopic guide, 5 cooking levels
- Fast heating
- Triple glazed door
- Dynamic ventilation
- Deep tray and reinforced grid (with anti-tip system)



COLOUR

Glass London brick brown

FRAME Infinity glass

EXTERNAL DIMENSIONS

Height 455mm **Width** 595mm **Depth** 537+22mm

COLOUR

Glass Stone Grey

FRAME Infinity glass

EXTERNAL DIMENSIONS

Height 455mm **Width** 595mm **Depth** 537+22mm

COLOUR

Glass White

FRAME Infinity glass

EXTERNAL DIMENSIONS

Height 455mm **Width** 595mm **Depth** 537+22mm



NEW

MAESTRO MLC 8440



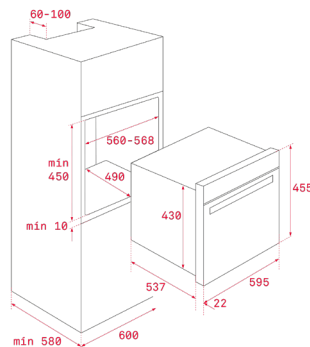
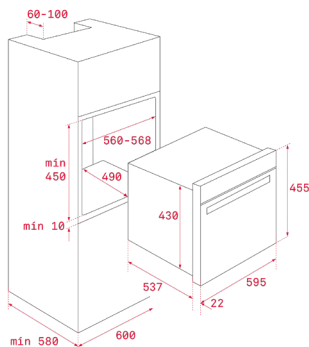
- Urban Colors Edition
- HydroClean CristalColor Compact microwave
- Microwave oven + grill
- 3 cooking functions
- Touch Control with electronic timer
- 5 cooking levels
- Double glazed door
- Auto safety lock for children at control panel
- Tangential ventilation
- Reinforced grid (with anti-tip system)
- 5 microwave power levels, 1.000 W out
- Auto defrosting by time and weight

NEW

MAESTRO MLC 8440



- Urban Colors Edition
- HydroClean CristalColor Compact microwave
- Microwave oven + grill
- 3 cooking functions
- Touch Control with electronic timer
- Five cooking levels
- Double glazed door
- Auto safety lock for children at control panel
- Tangential ventilation
- Reinforced grid (with anti-tip system)
- 5 microwave power levels, 1.000 W out
- Auto defrosting by time and weight



COLOUR

Glass Black

FRAME Infinity glass

EXTERNAL DIMENSIONS

Height 455mm Width 595mm Depth 537mm

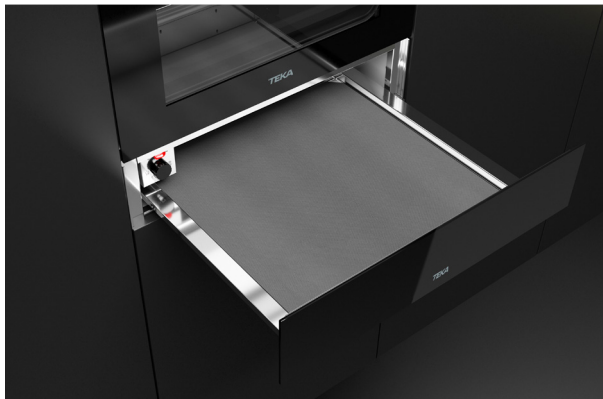
COLOUR

Glass Stone Grey

FRAME Infinity glass

EXTERNAL DIMENSIONS

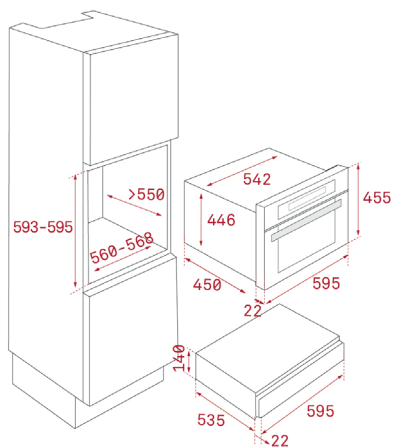
Height 455mm Width 595mm Depth 537mm



NEW

MAESTRO CP 150 GS

- Urban Colors Edition
- Plate warmer
- Temperature range: 30°-80°
- 6 plates setting: 6 dinner plates (24 cm), 6 deep plates (10 cm), and 3 serving platters (17, 19 and 32 cm) or 20 dinner plates (28 cm) or 40 tea cups or 80 coffee cups.
- Pull out telescopic drawer
- Push-pull opening system
- Anti-sliding base
- Frontal Glass not included:
 - 111890002 - Black Glass
 - 111890006 - London Brick Brown Glass
 - 111890004 - Stone Grey Glass
 - 111890005 - Steam Grey Glass
 - 111890003 - White Glass



FRAME Infinity glass

EXTERNAL DIMENSIONS

Height 140mm **Width** 595mm **Depth** 557mm

TEKA

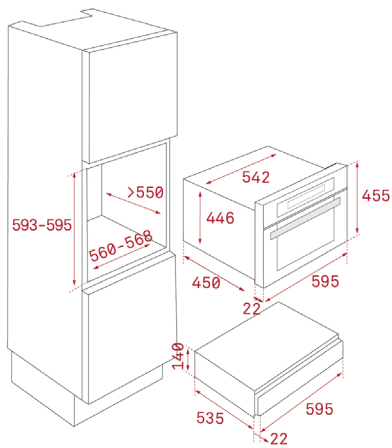
TEKA

NEW

MAESTRO VS 1520 GS



- Urban Colors Edition
- Vacuum sealing machine
- Storage for accesories
- Kitchen scale
- Protecting cover for kitchen scale
- Roll holder for aluminum foil
- Roll holder for cling film
- Soft-close
- Self-closing
- Frontal Glass not included:
 - 111890002 - Black Glass
 - 111890006 - London Brick Brown Glass
 - 111890004 - Stone Grey Glass
 - 111890005 - Steam Grey Glass
 - 111890003 - White Glass



FRAME Infinity glass

EXTERNAL DIMENSIONS

Height 140mm Width 595mm Depth 557mm



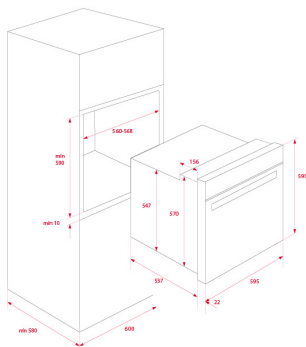
COMPACTS



TOTAL HSC 644 S



- Steam oven
- Touch Control with electronic timer
- Five cooking levels
- Steam cooking 30-100°C
- 1 litre water tank
- Sterilization and regeneration functions
- Triple glazed door
- Door opening security disconnection
- Tangential ventilation
- Deep tray, stainless steel perforated tray and reinforced grid (with anti-tip system)



COLOUR

Stainless Steel

FRAME Stainless steel

EXTERNAL DIMENSIONS

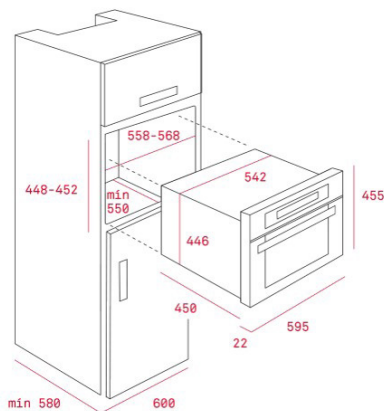
Height 455mm Width 595mm Depth 559mm



TOTAL MWR 32 BIA AT



- Country Style Edition
- Microwave + grill
- 3 cooking functions
- Minute minder
- 5 microwave power levels, 1.000 W out
- Defrosting by time
- Integrated turntable
- Triple glazed door
- Tangential ventilation
- Door opening security disconnection
- Capacity: 44 litres
- Browning plate and 2 grids



COLOUR

Anthracite Brass

EXTERNAL DIMENSIONS

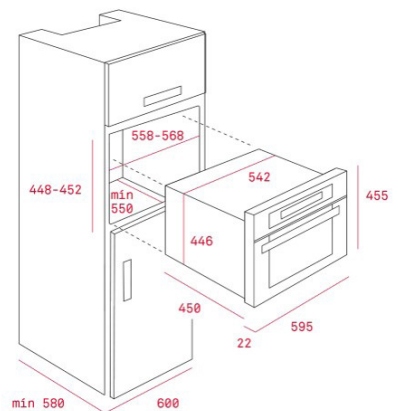
Height 455mm Width 595mm Depth 472mm



TOTAL MWR 32 BIA ATS



- Country Style Edition
- Microwave + grill
- 3 cooking functions
- Minute minder
- Integrated turntable
- 5 microwave power levels, 1.000 W out
- Defrosting by time
- 2 Grids and browning plate
- Double glazed door
- Tangential ventilation
- Door opening security disconnection
- Capacity: 32 litres



COLOUR

Anthracite Silver

EXTERNAL DIMENSIONS

Height 455mm Width 595mm Depth 472mm



NEW

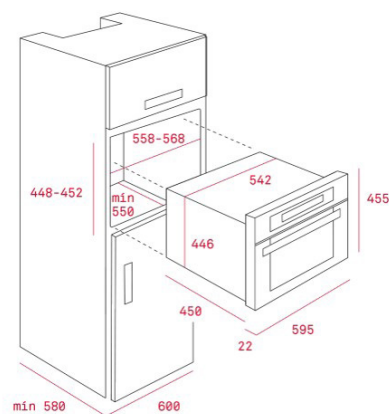
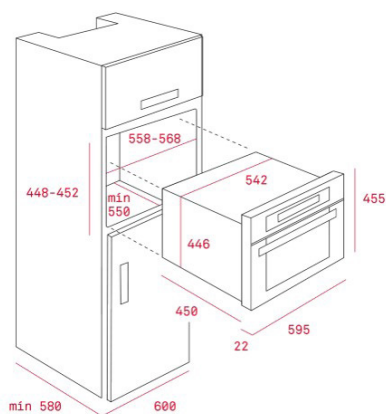
TOTAL MWR 32 BIA VN

TOTAL MWR 32 BIA VNS



- Country Style Edition
- Microwave + grill
- 3 cooking functions
- Minute minder
- 5 microwave power levels, 1.000 W out
- Defrosting by time
- Integrated turntable
- Triple glazed door
- Tangential ventilation
- Door opening security disconnection
- Capacity: 44 litres
- Browning plate and 2 grids

- Country Style Edition
- Microwave + grill
- 3 cooking functions
- Minute minder
- Integrated turntable
- 5 microwave power levels, 1.000 W out
- Defrosting by time
- 2 Grids and browning plate
- Double glazed door
- Tangential ventilation
- Door opening security disconnection
- Capacity: 32 litres



COLOUR
 Vanilla Brass

COLOUR
 Vanilla Silver

EXTERNAL DIMENSIONS
 Height 455mm Width 595mm Depth 472mm

EXTERNAL DIMENSIONS
 Height 455mm Width 595mm Depth 472mm

COMPACTS

Modelo	CLC 855 GM	CLC 835 MC
Multicapsule	-	✓
INNER CABINET DIMENSIONS		
Cabinet height (mm)	450	450
Cabinet width (mm)	560	560
Cabinet depth (mm)	-	580
ELECTRICAL FEATURES		
Maximum Nominal Power (W)	1.350	2.100
Cable connection length	180	110

Modelo	HLC 847 S	HLC 847 SC	HLC 847 C	HLC 8400	MLC 8440
INNER CAVITY DIMENSIONS					
Height (mm)	232	232	232	232	232
Width (mm)	475	475	475	475	475
Depth (mm)	405	385	365	402	365
Volume Net (L)	48	44	40	44	44
Volume Gross (L)	49	45	41	45	45
ELECTRICAL FEATURES					
Maximum Nominal Power (W)	3.000	3.000	3.400	3.015	3.200
MWO Power (W)	-	-	1.000	-	1.000
Static oven (W)	-	2.250	2.100	2.550	-
Bottom Heating Element (W)	1.150	1.150	1.000	1.150	-
Grill (W)	-	1.400	1.400	1.400	1.400
Maxigrill (W)	-	2.500	2.500	2.500	-
Turbo (W)	-	1.800	1.600	1.800	-
Multifunction motor (W)	-	22	30	22	-
Inner light (W)	25	25	25	25	25
Cooling fan motor (W)	35	35	18	18	18
Cable connection length	110	110	110	110	110
SAFETY SYSTEMS					
Automatic disconnection security system	✓	✓	✓	-	✓
Children safety	✓	✓	✓	-	-
Grill protection	-	✓	✓	✓	✓
Full glazed door	3	4	3	3	2
CLEANING SYSTEMS					
Hydroclean ECO	-	-	-	-	-
Hydroclean PRO	-	✓	✓	✓	-
Pyrolytic	-	-	-	-	-
ENERGY EFFICIENCY					
Energy Efficiency Class	-	A+	-	A+	-

Modelo	HSC 644 S	MWR 32 BIA AT	MWR 32 BIA ATS	MWR 32 BIA VN	MWR 32 BIA VNS
INNER CAVITY DIMENSIONS					
Height (mm)	232	420	420	420	420
Width (mm)	475	390	390	390	390
Depth (mm)	405	210	210	210	210
Volume Net (L)	48	32	32	32	32
Volume Gross (L)	49	38	38	38	38
ELECTRICAL FEATURES					
Maximum Nominal Power (W)	2.300	3.300	3.300	3.300	3.300
MWO Power (W)	-	1.000	1.000	1.000	1.000
Static oven (W)	-	-	-	-	-
Bottom Heating Element (W)	1.150	-	-	-	-
Grill (W)	-	1.500	1.500	1.500	1.500
Maxigrill (W)	-	-	-	-	-
Turbo (W)	-	-	-	-	-
Multifunction motor (W)	-	-	-	-	-
Inner light (W)	25	25	25	25	25
Cooling fan motor (W)	35	35	35	35	35
Cable connection length	110	150	150	150	150
SAFETY SYSTEMS					
Automatic disconnection security system	✓	✓	✓	✓	✓
Children safety	✓	-	-	-	-
Grill protection	-	-	-	-	-
Full glazed door	3	3	3	3	3
CLEANING SYSTEMS					
Hydroclean ECO	-	-	-	-	-
Hydroclean PRO	-	-	-	-	-
Pyrolytic	-	-	-	-	-
ENERGY EFFICIENCY					
Energy Efficiency Class	-	-	-	-	-

Modelo	CP 150 GS	VS 1520 GS
INNER DIMENSIONS		
Height (mm)	100	-
Width (mm)	470	-
Depth (mm)	500	-
ELECTRICAL FEATURES		
Maximum Nominal Power (W)	420	115
Cable connection length	110	-