



Kitchen goes way beyond
just preparing food




HOODS



Our goal is to create the best environment for you at home. Our hoods will preserve freshness, silence and harmony for your recipes in every corner of your kitchen saving money at the same time.

Feel the peace and quietness in your kitchen too. Feel the satisfaction of sharing amazing moments there, with the pleasure of an amazing design and the essence of your home. The hood is not just a noisy part of your kitchen, but something that keeps the atmosphere clean and fresh, creating harmony and a peaceful environment to cook or to share a piece of cake. Design is a priority with our hoods, that is why Teka creates exclusive and functional designs that goes along with the look of the rest of the appliances.



Find out what
innovation can
make you **feel**

Quadro

Feel the quietness in your kitchen

Quadro hood shows a unique vertical design to impress even the most demanding chefs. The hood is made of black glass and anodized aluminium with high durability. The perfect combination also has a white display and an elegant LED lighting distributed all along the cooking area. Because your expectations deserve only the best.



EcoPower Motor

Silence, durability and consumption

EcoPower engines have both efficiency and productivity. Silent EcoPower model, A++ energy classification, bring us the chance to save money (75% compared with a D class), and we can also enjoy a quiet atmosphere with just 37dB anytime we use it.

Perimeter extraction

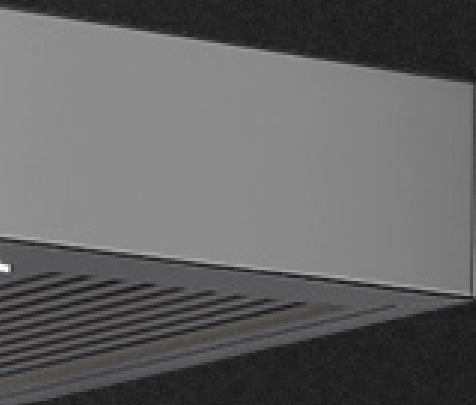
Keeps your kitchen fresh

A small slot is showed in the body of the hood and generates high pressure for a better and faster air extraction. Air can not go further than the cooking area thanks to the speed and efficiency of the hood. Cook free of odours and fumes.



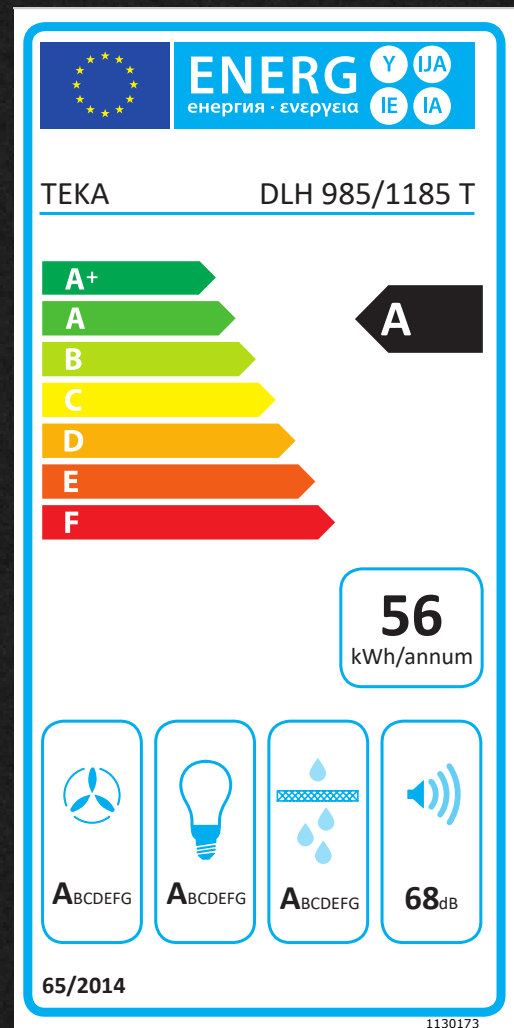
*New hoods made thinking
of you and your future.
Available in any kind of
shape and size, eco-friendly
but easy on your wallet,
these hoods fits in your
kitchen and in your life.*





PERFECTA-4

The perfect balance between efficiency, design and productivity. An incomparable hood thanks to a full 4 A energy label: A class in energy efficiency, fluidynamic, lightning and also in grease filtering. The hood can extract up to 800 m³ and remove 98% of the grease with its 12 layers filters. And from the hood to the dishwasher, because the stainless steel filters are designed to be washable, so forget about how to keep them clean.



A Energy efficiency

Energy efficiency index (EEI) It is calculated from annual consumption and from energy standard consumption.

A Fluid Dynamic Efficiency

Efficiency of the extraction system, affected by different variables like the shape of the hoods.

A Lighting efficiency class

Indicates the efficiency with which the hood is able to illuminate the cooker hob.

A Grease filtering efficiency class

Indicates the efficiency with which the hood filters grease generated through cooking process.



What hood does my kitchen need?

Just calculate your kitchen's volume. For example 12m² with 2,5m height. That's how we get the total volume:
12m² x 2,5m = 30m³

Furniture has to be taken into consideration. Approx. 40%. Final total volume: 18m³ On the basis of the air is renovated 12 times per hour:
18m³ x 12 renovations = 216m³/h

In a 12m² kitchen we need a hood with 216m³/h for an effective extraction



LED light bar

Led light has a very positive effect for the environment. It is called the ecologic lighting due to the lack of mercury or any other hazardous substances that can contribute to the greenhouse effect and increase global warming. LED had other many advantages as low energy consumption, so we can save energy, or the fact that they don't need a warm-up period and they don't produce heat. But LED bar will perfectly light you cooking zone so you can not miss a single thing of your recipes.













All sizes and shapes for every taste and need

Round and rectangular shapes, with glass or steel finish and with infinite benefits. And everything with an emblematic design to create the environment you are looking for in your kitchen.

Hoods

Minimum consumption, highly accurate and very easy to use.

		MAESTRO									
		90					60				
VERTICAL	 DLV 985	 DLV 985	 DLV 985	 DLV 985	 DLV 985	 DLV 685	 DLV 685	 DLV 685	 DLV 685	 DLV 685	
INTEGRATION											

MAESTRO

Domestic appliances for those who like going one step further. For those who will not settle for being like the rest.

TOTAL

Designed for those who demand everything of their appliances, for everyone in the house. Maximum effectiveness in any situation.

EASY

For those who prefer no complications in the kitchen without denying themselves an appliance that gives so much while asking for so little in return.

TOTAL		EASY
90	70/60	60



XT2 8910

HOODS



NEW

NEW

MAESTRO DLV 985

MAESTRO DLV 985

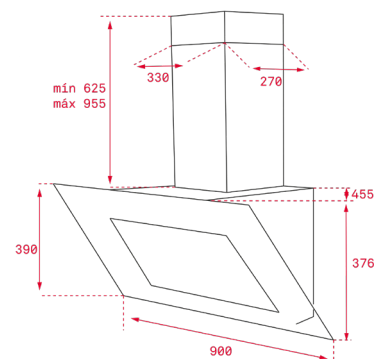
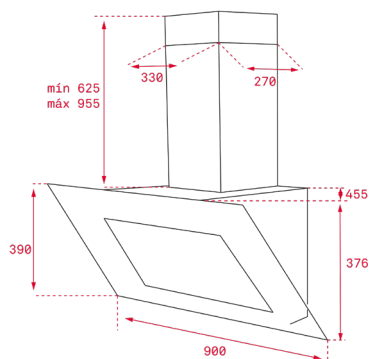
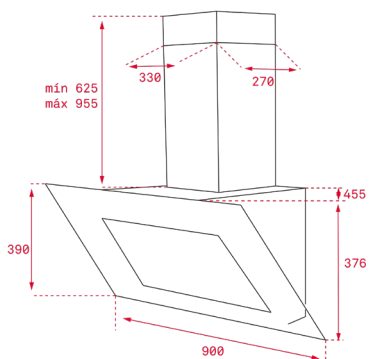
MAESTRO DLV 985



- Urban Colors Edition
- Quadro vertical hood
- Extraction rim system "Contour"
- Digital control Touch Control with white display
- 3 speeds + Intensive
- Stop delay timer
- LED light bar
- Saturation filters lighting indicator
- Double turbine motor ECOPOWER
- Exhaust capacity (*): min.325 m³/h - max.782 m³/h
- Sound level (*): min.54 dBA - máx.65 dBA
- Recirculation function optional (SET D10CTP)

- Urban Colors Edition
- Quadro vertical hood
- Extraction rim system "Contour"
- Digital control Touch Control with white display
- 3 speeds + Intensive
- Stop delay timer
- LED light bar
- Saturation filters lighting indicator
- Double turbine motor ECOPOWER
- Exhaust capacity (*): min.325 m³/h - max.782 m³/h
- Sound level (*): min.54 dBA - máx.65 dBA
- Recirculation function optional (SET D10CTP)

- Urban Colors Edition
- Quadro vertical hood
- Extraction rim system "Contour"
- Digital control Touch Control with white display
- 3 speeds + Intensive
- Stop delay timer
- LED light bar
- Saturation filters lighting indicator
- Double turbine motor ECOPOWER
- Exhaust capacity (*): min.325 m³/h - max.782 m³/h
- Sound level (*): min.54 dBA - máx.65 dBA
- Recirculation function optional (SET D10CTP)



COLOR

 Glass Black

COLOR

 Glass London brick brown

COLOR

 Glass Stone Grey

EXTERNAL DIMENSIONS

Width 900 mm

EXTERNAL DIMENSIONS

Width 900 mm

EXTERNAL DIMENSIONS

Width 900 mm



NEW

MAESTRO DLV 985



- Urban Colors Edition
- Quadro vertical hood
- Extraction rim system "Contour"
- Digital control Touch Control with white display
- 3 speeds + Intensive
- Stop delay timer
- LED light bar
- Saturation filters lighting indicator
- Double turbine motor ECOPOWER
- Exhaust capacity (*): min.325 m³/h - max.782 m³/h
- Sound level (*): min.54 dBA - max.65 dBA
- Recirculation function optional (SET D10CTP)

NEW

MAESTRO DLV 985



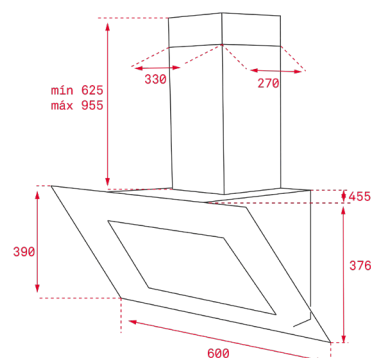
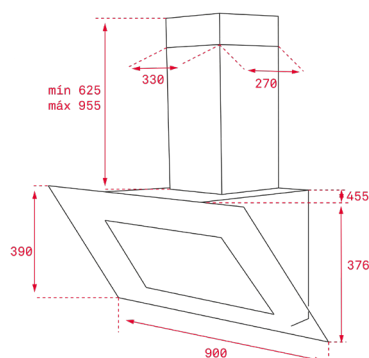
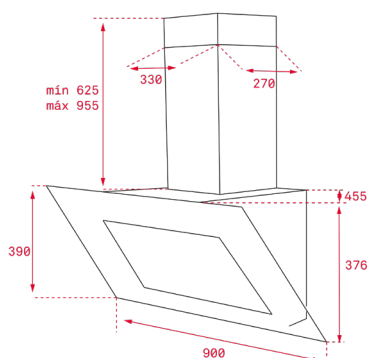
- Urban Colors Edition
- Quadro vertical hood
- Extraction rim system "Contour"
- Digital control Touch Control with white display
- 3 speeds + Intensive
- Stop delay timer
- LED light bar
- Saturation filters lighting indicator
- Double turbine motor ECOPOWER
- Exhaust capacity (*): min.325 m³/h - max.782 m³/h
- Sound level (*): min.54 dBA - max.65 dBA
- Recirculation function optional (SET D10CTP)

NEW

MAESTRO DLV 685



- Urban Colors Edition
- Quadro vertical hood
- Extraction rim system "Contour"
- Digital control Touch Control with white display
- 3 speeds + Intensive
- Stop delay timer
- LED light bar
- Saturation filters lighting indicator
- Double turbine motor ECOPOWER
- Exhaust capacity (*): min.325 m³/h - max.782 m³/h
- Sound level (*): min.54 dBA - max.65 dBA
- Recirculation function optional (SET D10CTP)



COLOR

 Glass Steam Grey

COLOR

 Glass White

COLOR

 Glass Black

EXTERNAL DIMENSIONS

Width 900 mm

EXTERNAL DIMENSIONS

Width 900 mm

EXTERNAL DIMENSIONS

Width 600 mm

HOODS



NEW

MAESTRO DLV 685



- Urban Colors Edition
- Quadro vertical hood
- Extraction rim system "Contour"
- Digital control Touch Control with white display
- 3 speeds + Intensive
- Stop delay timer
- LED light bar
- Saturation filters lighting indicator
- Double turbine motor ECOPOWER
- Exhaust capacity (*): min.325 m³/h - max.782 m³/h
- Sound level (*): min.54 dBA - máx.65 dBA
- Recirculation function optional (SET D10CTP)

NEW

MAESTRO DLV 685



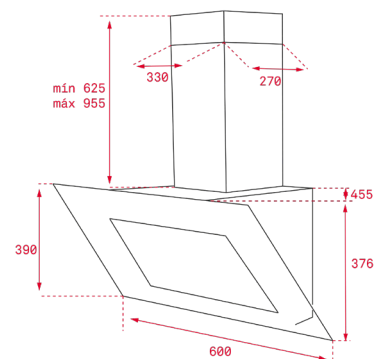
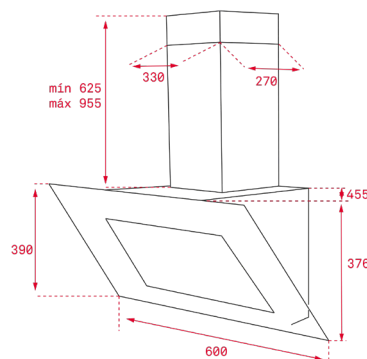
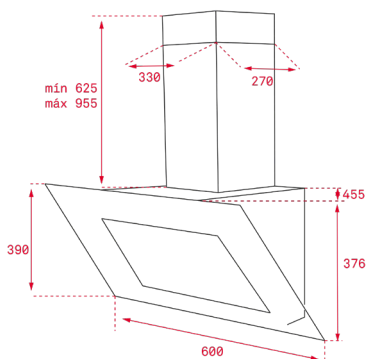
- Urban Colors Edition
- Quadro vertical hood
- Extraction rim system "Contour"
- Digital control Touch Control with white display
- 3 speeds + Intensive
- Stop delay timer
- LED light bar
- Saturation filters lighting indicator
- Double turbine motor ECOPOWER
- Exhaust capacity (*): min.325 m³/h - max.782 m³/h
- Sound level (*): min.54 dBA - máx.65 dBA
- Recirculation function optional (SET D10CTP)

NEW

MAESTRO DLV 685



- Urban Colors Edition
- Quadro vertical hood
- Extraction rim system "Contour"
- Digital control Touch Control with white display
- 3 speeds + Intensive
- Stop delay timer
- LED light bar
- Saturation filters lighting indicator
- Double turbine motor ECOPOWER
- Exhaust capacity (*): min.325 m³/h - max.782 m³/h
- Sound level (*): min.54 dBA - máx.65 dBA
- Recirculation function optional (SET D10CTP)



COLOR

 Glass London brick brown

COLOR

 Glass Stone Grey

COLOR

 Glass Steam Grey

EXTERNAL DIMENSIONS

Width 600 mm

EXTERNAL DIMENSIONS

Width 600 mm

EXTERNAL DIMENSIONS

Width 600 mm

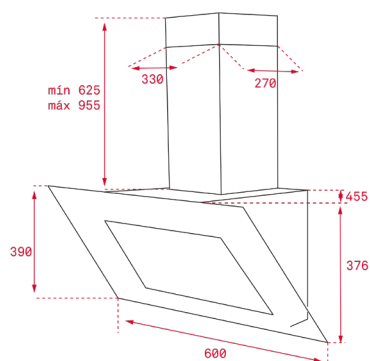


NEW

MAESTRO DLV 685



- Urban Colors Edition
- Quadro vertical hood
- Extraction rim system "Contour"
- Digital control Touch Control with white display
- 3 speeds + Intensive
- Stop delay timer
- LED light bar
- Saturation filters lighting indicator
- Double turbine motor ECOPOWER
- Exhaust capacity (*): min.325 m3/h - max.782 m3/h
- Sound level (*): min.54 dBA - max.65 dBA
- Recirculation function optional (SET D10CTP)



COLOR

Glass White

EXTERNAL DIMENSIONS

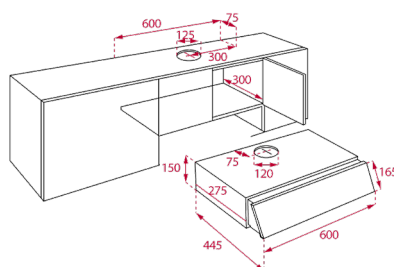
Width 600 mm



NEW

EASY XT2 8910

- Under cabinet installation
- Mechanical controls
- 3 speeds
- LED illumination
- Exhaust capacity (*): min. 165 m3/h - max.248 m3/h
- Sound level (*): min.58 dBA - max.69 dBA
- Metallic filter
- Anti return valve
- Recirculation function optional (filter CIC)



COLOR

White

EXTERNAL DIMENSIONS

Width 600 mm

HOODS

Modelo	DLV 985	DLV 685	XT2 8910
PRODUCT FICHE			
Annual energy consumption AEC kWh/annum (kWh)	55,5	55,5	66,7
Energy Efficiency Class	A	A	D
Fluid Dynamic Efficiency (FDEhood)	34,5	34,5	9,3
Fluid Dynamic Efficiency class	A	A	E
Light Efficiency (Lehood) lux/Watt	41,7	41,7	16,1
Lighting Efficiency class	A	A	C
Grease Filtering Efficiency (GFEhood) %	0	0	65,1
Grease Filtering Efficiency class	G	G	D
Air flow (Qmin) m3/h	325	325	160
Air flow (Qmax) m3/h	614	614	245
Air flow (Qboost) m3/h	782	782	-
Noise (LwA) Min Speed (dB)	54	54	58
Noise (LwA) Max Speed (dB)	72	72	-
Noise (LwA) Boost Speed (dB)	72	72	-
Off mode Power (Po) W	0,3	0,3	-
Standby Power (Ps) W	-	-	-
Energy Efficiency Index (EEI)	50,5	50,5	89,9
Time increase actor (f)	0,8	0,8	1,7
Air flow at best efficiency point (Qbep) m3 / h	440	440	145
Air pressure at best efficiency point(Pbep) Pa	452	452	240
Electric power input at best efficiency point (Wbep) W	160	160	104
Nominal power of the lighting system (WL) W	12	12	3
EXTERNAL DIMENSIONS			
Width (mm)	900	600	600
Depth (mm)	450	450	308/340
Height (mm)	800-1200	800-1200	190/150
ELECTRICAL FEATURES			
Motor power (W)	280	280	120
Total hood power (W)	287	287	123
TECHNICAL DATA			
Anti Return Valve	√	√	√
Ø Outlet (mm)	150	150	125
Number of Filters	2	2	1
Charcoal filter	D10C	D10C	1012DJ
Recirculation kit	SET D10CTP	SET D10CTP	-