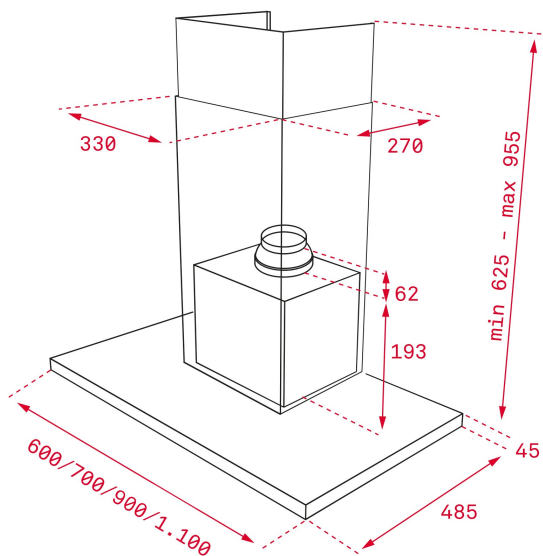




LED

Perimeter  
extractionStop Delay  
Timer

## REFERENCE

REF: 40483130

EAN: 8421152157480

## FEATURES

Decorative horizontal hood  
 Electronic control with display  
 Rim extraction  
 3 speeds + 1 intensive  
 Free Outlet exhaust capacity (m<sup>3</sup>/h): 920  
 Intensive speed exhaust capacity (m<sup>3</sup>/h): 782  
 Max speed exhaust capacity (m<sup>3</sup>/h): 629  
 Min speed exhaust capacity (m<sup>3</sup>/h): 331  
 Intensive speed sound level (dBA): 65  
 Max speed sound level (dBA): 55  
 Min speed sound level (dBA): 45  
 1 LED lamp  
 2 Aluminum filters  
 Stop delay timer  
 Filter saturation indicator  
 Operating pilot light  
 Anti-return valve included  
 Outlet reduction included  
 Optional recirculation kit with tube cover installation: SET 1/N1  
 Optional Charcoal Filter: D4C

## DIMENSIONS

**Product height (mm):** 690-1010

**Product width (mm):** 700

**Product depth (mm):** 480

**Product length (mm):**

**Net weight (Kg):** 14,02

## TECHNICAL DETAILS

Energy Efficiency Class: A+

Noise (LwA) Min Speed (dB): 54

Noise (LwA) Max Speed (dB): 67

Noise (LwA) Boost Speed (dB): 69

Ø Outlet (mm): 150

## COLOURS