



# SPA TKS 893 H 8kg Free Standing Dryer with 4 power levels



A Energy Class



Hand Wash



Washing capacity: 8Kg

**DESCRIPTION**

8kg Free Standing Dryer with 4 power levels

**LIFE STYLE**

Maestro

**COLOURS**



**REFERENCE**

REF. 40854003  
EAN. 8421152160855

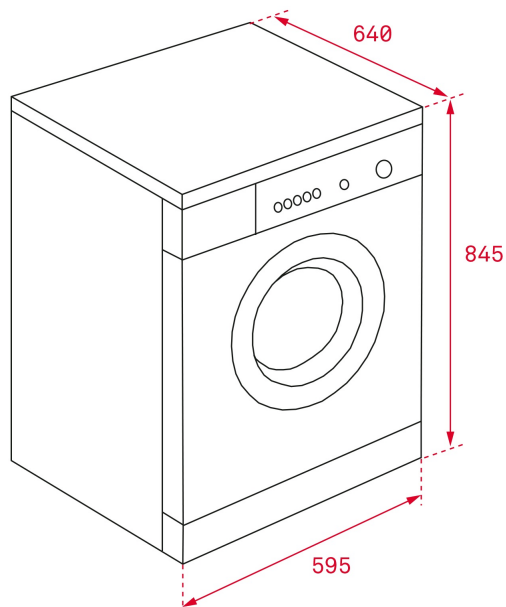


**TEKA**

**SPA TKS 893 H**

**FEATURES**

Free standing Dryer  
Heat pump condenser dryer  
Drying capacity: 8 kg  
16 programs  
Electronic control with digital display  
Delay timer 1-24h  
4 Power levels  
End of cycle alarm  
Humidity sensor  
Anti-crease program  
Delicate clothing program  
Cooling program  
Bi-direction rotation  
Removable filter with saturation  
Stainless steel drum  
Energy class A+++



## DIMENSIONS

**Product height (mm):** 845  
**Product width (mm):** 595  
**Product depth (mm):** 640  
**Product length (mm):**  
**Net weight (Kg):** 50

## TECH SPECS

### PRODUCT SHEET

**Type of load:** Front  
**Type of installation:** Free standing  
**Drying capacity (Kgs):** 8  
**Energy Efficiency Class:** A+++  
**Condensation efficiency:** B  
**Energy consumption per drying cycle (Full load) (kWh):** 1.5  
**Energy consumption (kWh/year):** 176  
**Duration of drying cycle (Full load) (minutes):** 190  
**Automatic (sensor drying):** Yes  
**Certificates:** CE, CB

### POWER SUPPLY

**Frequency (Hz):** 50  
**Power rate (V):** 220-240  
**Maximum Nominal Power (W):** 650  
**Nominal power motor (W):** 120

### PARTICULAR CHARACTERISTICS

**Glass door diameter (cms):** 48  
**Number of programs:** 16  
**Control panel:** Electronic

**CONTROL INDICATOR LIGHTS**

**Bidirectional rotation:** Yes  
**Drum light:** Yes  
**Drum:** Zincification steel

**SPECIAL FUNCTIONS**

**Remaining time:** Yes  
**Drying:** Yes  
**Dryer timer:** Yes

**EQUIPMENT**

**Economic program:** Yes  
**Delayed Timer (h):** 1-24

**Adjustable Feet Back:** Yes  
**Adjustable feet front:** Yes

