



# DoubleCook HLD 45.15 DoubleCook Multifunction Oven with two cavities



18L



38L



HydroClean

**DESCRIPTION**

DoubleCook Multifunction Oven with two cavities

**LIFE STYLE**

Maestro

**COLOURS**



**REFERENCE**

REF. 41595025  
EAN. 8421152155189



**TEKA**

## **DoubleCook HLD 45.15**

### **FEATURES**

Multifunction Surroundtemp

Energy class: A

Touch Control digital display

Upper cavity :

Capacity: 48/38 litres ( net/gross )

5 cooking functions

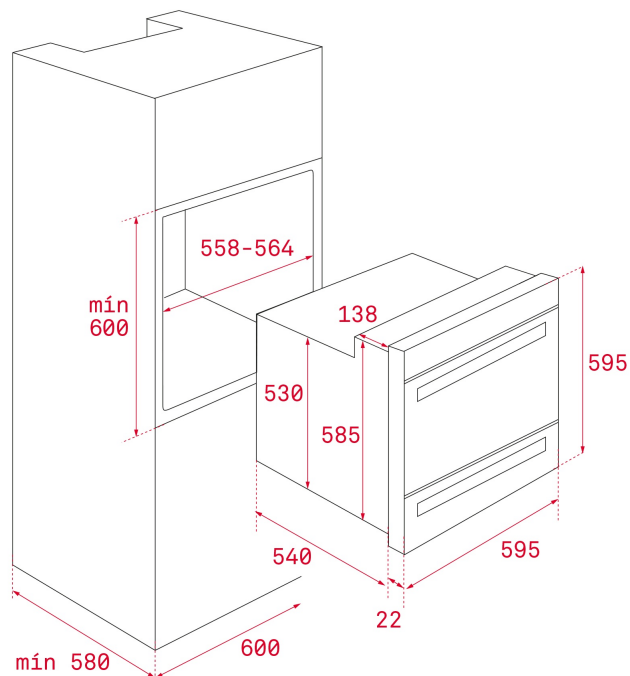
Grill

Lower cavity:

Capacity: 31/18 litres ( net/gross )

4 cooking Functions

2 Grilles (upper/lower)



## DIMENSIONS

**Product height (mm):** 595

**Product width (mm):** 595

**Product depth (mm):** 540+22

**Product length (mm):**

**Net weight (Kg):** 41

## TECH SPECS

### PARTICULAR CHARACTERISTICS

**Certificates:** CE / CCA/ CB

**Number of cavities:** 2

**Type of inner light:** Halogen

**Inside light position:** REAR/SIDE

**Inside light position (lower cavity):** REAR/SIDE

**Inside light consumption (W) (lower cavity):** 25

**Enamelled cavity:** Yes

**Function selector:** 5+0

**Function selector (lower cavity):** 5+0

**Number of cooking functions:** 5

**Grill function:** Yes

**Bottom function:** Yes

**Number of cooking functions (lower cavity):** 4

**Touch Control Programmer:** Yes

**Knobs type:** MMX FIX KNOB knurling

**Removable chromed tray guides:** Yes

**Number of guide levels:** 4

**Drop-down grill:** Yes

**Number of guide levels (lower cavity):** 1

**Drop-down grill (lower cavity):** Yes

**Forced refrigeration tangential 1 speed:** Yes

## **ELECTRIC CONNECTION**

**Maximum Nominal Power (W):** 6148

**Frequency (Hz):** 50/60

**Power rate (V):** 220-240

**Cable Connection Length (cm):** 200

**Inside light Consumption (W):** 25

## **ENERGY CONSUMPTION**

**Energy consumption per cycle in conventional mode (kWh):** 0.7

**Energy consumption per cycle in fan-forced convection mode (kWh):** 0,68

**Bottom Heating Element (W):** 1800

**Bottom Heating Element (W) (lower cavity):** 1050

**Grill (W):** 1800

**Grill (Lower Cavity) (W):** 1400

**Traditional (W):** 2450

**Traditional (W) (lower cavity):** 2450

**Multifunction Turbo (W):** 30

**Cooling Fan Motor (W):** 18

## **SECURITY SYSTEM**

**Panel blocking system:** Yes

**Children safety block option:** Yes

**Grill protection:** Yes

**Anti-tip tray system:** Yes

**Safety Thermostat:** Yes

**Full glazed doors:** 2

**Automatic disconnection when opening the door (lower cavity):** Yes

**Grill protection (lower cavity):** Yes

**Anti-tip tray system (lower cavity):** Yes

**Safety Thermostat (lower cavity):** Yes

**Full glass inner door (lower cavity):** Yes

**Full glazed doors (lower cavity):** 2

## **CLEANING SYSTEM**

**Crystal Clean Enamel (Slippery):** Yes

**Hydroclean ECO:** Yes

## **ACCESSORIES**

**Baking Tray:** 1

**Deep Tray (50 mm):** 1

**Reinforced grid:** 1

**Reinforced grid (lower cavity):** 1

## **ENERGY EFFICIENCY**

**Energy Efficiency Class:** A/-

**Energy Efficiency Index (EEI):** 95,8 / -



# DoubleCook HLD 45.15

## ENERGY LABEL

**ENERG** Y UA  
енергия - енергетика IE IA

**TEKA** HLD 45.15

A+++  
A++  
A+ **A**  
A  
B  
C  
D

38L

0.70 kWh/cycle\*  
0.68 kWh/cycle\*

\* цикъл - cyclus - portion - zklus - napřevracena - ciclo - tsäkkel - ohjelma - ciklus  
ciklus - ciklu - ciklu - cyclus - cykli - ciklu - program - cyclet

65/2014