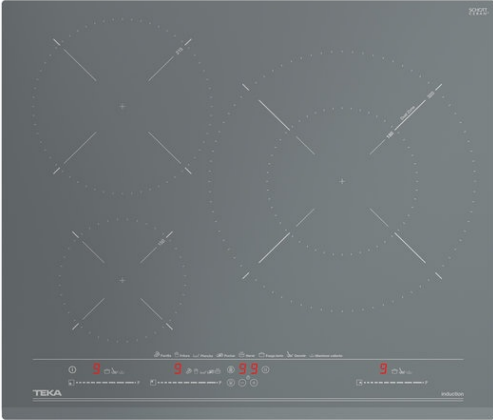




IZC 63632 ST MST Induction hob with Direct Functions MultiSlider and 3 cooking zones in 60 cm



MultiSlider



Autolock



Power



Power Plus



Easy installation



Super Zone

DESCRIPTION

Induction hob with Direct Functions MultiSlider and 3 cooking zones in 60 cm

LIFE STYLE

Maestro

COLOURS

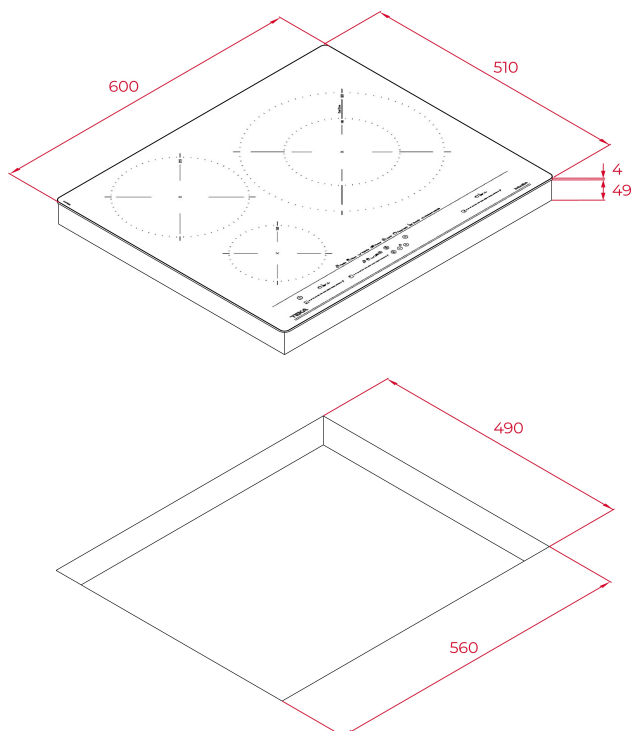


REFERENCE

REF. 112500015
EAN. 8434778011555

FEATURES

Urban Colors Edition
MasterSense Series
Induction hob
Direct functions with temperature sensors: Poaching, confit, grilling, pan frying, deep frying, quick boiling, simmering, melting and keep warm
Touch Control MultiSlider
3 cooking zones
1 zone Ø 320/180 mm
1 zone Ø 215 mm
1 zone Ø 150 mm
Ceramic glass surface
Auto-lock safety system
Cooking timer
Power plus
Child lock
Residual heat indicator
Power management
Easy installation kit
Maximum nominal power 7200 W
Optional: Grilling plate
Optional: Teppanyaki



DIMENSIONS

Product height (mm): 53
Product width (mm): 600
Product depth (mm): 510
Product length (mm):
Net weight (Kg): 10,7

TECH SPECS

FITTING MEASURES

Built-in Width (mm): 560
Built-in Depth (mm): 490
Built-in height (mm): 49

FEATURES

Number of electric power levels: 9
Grilling: Yes
Pan frying: Yes
Deep frying: Yes
Simmering: Yes
Melting: Yes
Keeping warm: Yes
Poach: Yes
Power management function: Yes

ELECTRIC CONNECTION

Frequency (Hz): 50/60
Power rate (V): 220-240
Cable Connection Length (cm): 110
Maximum Nominal Power (W) (Electric hob): 7200

COOKING ZONES

Cooking Zones: 3

SAFETY SYSTEMS

Residual heat indicator (Gas): Yes

Residual heat indicator (Electric hob): Yes

Automatic safety disconnection (Auto Lock) (Electric hob): Yes

Child lock: Yes

FINISH

Surface finishing: Front bevelled glass

Surface type: Ceramic Glass (4mm)

Easy installation system: Yes

ACCESSORIES

Junction Kit: Optional

Teppan Yaki: Optional

