



TKD 1510 WD SS EXP Free standing Washer Dryer with 22 programs, 10kg washing capacity and 7kg drying capacity



Quick Cycle



Washing capacity: 10Kg



Washing capacity: 7Kg

DESCRIPTION

Free standing Washer Dryer with 22 programs, 10kg washing capacity and 7kg drying capacity

LIFE STYLE

Maestro

COLOURS

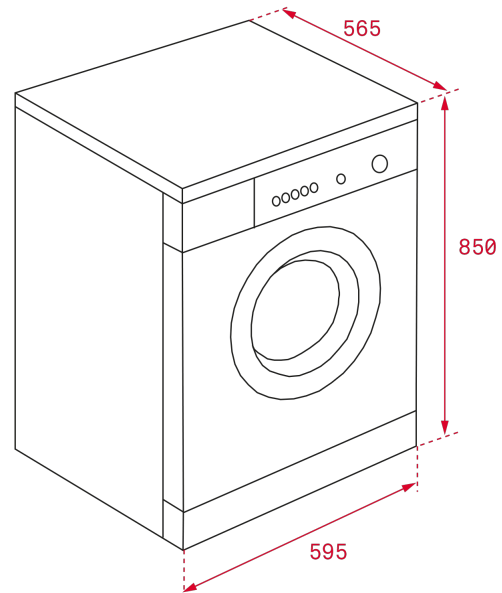


REFERENCE

REF. 113960007
EAN. 8434778017960

FEATURES

Free standing Washer-Dryer
Electronic control panel with display
Washing capacity: 10 kg
Drying capacity: 7 kg
Washing programs: 16
Drying programs: 6
Fast program: 15 minutes
Special programs: ECO mode, Wool care, Delicate, Easy iron, Quick Wash & Dry
Special functions: Delay timer, Speed wash, Easy ironing, Extra rinse
Condenser heat pump
Maximum spinning speed: 1500 RPM
Automatic water regulation
Automatic door lock safety system
Child lock
SoftCare drum
Delay timer: 1-24 hours
33 cm wide porthole door



DIMENSIONS

Product height (mm): 850
Product width (mm): 595
Product depth (mm): 565
Product length (mm):
Net weight (Kg): 71

TECH SPECS

PRODUCT SHEET

Type of installation: Free standing
Drying capacity (Kgs): 7
Energy consumption (kWh/year): 220
Water consumption (litres/year): 14000
Certificates: CE

POWER SUPPLY

Frequency (Hz): 50
Power rate (V): 220-240
Plug type: UK
Cable Connection Length (cm): 1,5
Maximum Nominal Power (W): 1950
Water outlet hose length (m): 1.6
Water inlet hose length (m): 1

PARTICULAR CHARACTERISTICS

Stainless Steel Drum: Yes
Glass door diameter (cms): 48
Double water inlet (warm-cold): Yes
Number of programs: 16
Number Of Washing Temperatures: 6

CONTROL INDICATOR LIGHTS

Control panel: ELECTRONIC LED WHITE DISPLAY

Child lock: Yes

Auto lock door: Yes

Cancel spin cycle button: Yes

Selected program indicator: Yes

Remaining time: Yes

Drying: Yes

Dryer timer: Yes

SPECIAL FUNCTIONS

Fast program: Yes

Fast program (minutes): 15

Economic program: Yes

Intense program: Yes

Delayed Timer (h): 1-24 hours

Delicate fabrics: Yes

Easy ironing/anti crease: Yes

EQUIPMENT

Adjustable Feet Back: Yes

Adjustable feet front: Yes

PRODUCT INFORMATION SHEET (UE) 2019/2014

General product parameters

Rated capacity (kg) for the wash and dry cycle: 7

Rated washing capacity (kg) for the eco 40-60 programme: 10

Dimensions (cm)

Height: 85

Width : 89,5

Depth: 56,5

Energy efficiency index

Energy Efficiency Index EEIW for the eco 40-60 programme (a):

60

Energy Efficiency Index EEIWD for the wash and dry cycle (b):

67

Energy efficiency class

Energy efficiency class EEIW for the eco 40-60 programme (a):

B

Energy efficiency class EEIWD for the wash and dry cycle (b): D

Washing efficiency index

Washing efficiency index IW for the eco 40-60 programme:

1,04

Washing efficiency index JW for the wash and dry cycle: 1,04

Rinsing effectiveness (g/kg dry textile)

Rinsing effectiveness IR for the eco 40-60 programme: 5

Rinsing effectiveness JR for the wash and dry cycle: 5

Consumption

Energy consumption in kWh per kg per cycle, for the washing cycle of the household washer-dryer, using the eco 40-60 programme at a combination of full and partial loads. Actual energy consumption will depend on how the appliance is used:
0,593

Energy consumption in kWh per kg per cycle, for the wash and

dry cycle of the household washer-dryer at a combination of full and half loads. Actual energy consumption will depend on how the appliance is used: 3,43

Water consumption in litre per cycle, for the eco 40-60 programme at a combination of full and partial loads. Actual water consumption will depend on how the appliance is used and on the hardness of the water: 52

Water consumption in litre per cycle, for the wash and dry cycle of the household washer-dryer at a combination of full and half loads. Actual water consumption will depend on how the appliance is used and on the hardness of the water: 100

Maximum temperature inside the treated textile (°C) for the eco 40-60 programme

Remaining moisture content (%) for the eco 40-60 programme

Spin speed (rpm) Eco 40-60 programme

Rated washing capacity: 1500

Half capacity: 1500

Quarter capacity: 1500

Spin-drying efficiency class: 1500

Eco 40-60 programme duration (h:min)

Wash and dry cycle duration (h:min)

Other

Airborne acoustical noise emissions during the spinning phase for the eco 40-60 washing cycle at rated washing capacity (dB(A) re 1 pW): 80

Airborne acoustical noise emission class for the spinning phase for the eco 40-60 programme at rated washing capacity: C

Type: FREE STANDING

Off-mode (W): 0,5

Standby mode (W): N/A

Delay start (W) (if applicable): 4

Networked standby (W) (if applicable): N/A

Minimum duration of the guarantee offered by the supplier (c): 24

This product has been designed to release silver ions during the washing cycle YES/NO: 0

Additional information

Weblink to the supplier's website, where the information in point 9 of Annex II to Regulation (EU) 2019/2023 is found (b):

(a) for the eco 40-60 programme

(b) for the wash and dry cycle

(c) changes to these items shall not be considered relevant for the purposes of paragraph 4 of Article 4 of Regulation (EU) 2017/1369.

(d) if the product database automatically generates the definitive content of this cell the supplier shall not enter these data.

**TECHNICAL DOCUMENTATION
(UE) 2019/2014**

Rated capacity for the washing cycle, at 0,5 kg intervals (Kg) : 10

Rated capacity for the wash and dry cycle, at 0,5 kg intervals (Kg) : 7

Energy consumption of the eco 40-60 programme at rated washing capacity (EW-full) (kWh/cycle) : N/A

Energy consumption of the eco 40-60 programme at half rated capacity (EW-1/2) (kWh/cycle) : N/A

Energy consumption of the eco 40-60 programme at quarter rated capacity (EW-1/4) (kWh/cycle) : N/A

Weighted energy consumption of the eco 40-60 programme (EW) (kWh/cycle) : N/A

Standard energy consumption of the eco 40-60 programme

(SCEW) (kWh/cycle) : N/A

Energy Efficiency Index of the washing cycle (EEIW) : 60

Energy consumption of the wash and dry cycle at rated capacity (EWD-full) (kWh/cycle) : N/A

Energy consumption of the wash and dry cycle at half rated capacity (EWD-1/2) (kWh/cycle) : N/A

Weighted energy consumption of the wash and dry cycle (EWD) (kWh/cycle) : 48

Standard energy consumption of the wash and dry cycle (SCEWD) (kWh/cycle) : 90

Energy Efficiency Index of the wash and dry cycle (EEIWD) : 78,4

Water consumption of the eco 40-60 programme at rated washing capacity (WW-full) (L/cycle) : N/A

Water consumption of the eco 40-60 programme at half rated capacity (WW-1/2) (L/cycle) : N/A

Water consumption of the eco 40-60 programme at quarter rated capacity (WW-1/4) (L/cycle) : N/A

Weighted water consumption of the washing cycle (WW) (L/cycle) : N/A

Water consumption of the wash and dry cycle at rated capacity (WWD-full) (L/cycle) : N/A

Water consumption of the wash and dry cycle at half rated capacity (WWD-1/2) (L/cycle) : N/A

Weighted water consumption of the wash and dry cycle (WWD) (L/cycle) : N/A

Washing efficiency index of the eco 40-60 programme at rated washing capacity (Iw) : N/A

Washing efficiency index of the eco 40-60 programme at half rated capacity (Iw) : N/A

Washing efficiency index of the eco 40-60 programme at quarter rated capacity (Iw) : N/A

Washing efficiency index of the wash and dry cycle at rated capacity (Jw) : N/A

Washing efficiency index of the wash and dry cycle at half rated capacity (Jw) : N/A

Rinsing effectiveness of the eco 40-60 programme at rated washing capacity (IR) (g/kg) : 5

Rinsing effectiveness of the eco 40-60 programme at half rated washing capacity (IR) (g/kg) : 5

Rinsing effectiveness of the eco 40-60 programme at quarter rated washing capacity (IR) (g/kg) : 5

Rinsing effectiveness of the wash and dry cycle at rated capacity (JR) (g/kg) : 5

Rinsing effectiveness of the wash and dry cycle at half rated capacity (JR) (g/kg) : 5

Spin speed in the spinning phase of the eco 40-60 programme at rated washing capacity (S) (RPM) : 1500

Spin speed in the spinning phase of the eco 40-60 programme at half rated washing capacity (S) (RPM) : 1500

Spin speed in the spinning phase of the eco 40-60 programme at quarter rated washing capacity (S) (RPM) : 1500

Airborne acoustical noise emissions during eco 40-60 programme (spinning phase) (dB(A) re 1 pW) : 80

Power consumption in off-mode (Po) (W) : 0,5

Power consumption in standby mode (Psm) (W) : 1

Power consumption in standby mode (Psm) in condition of networked standby (if applicable) (W) : N/A

Power consumption in delay start (Pds) (if applicable) (W) : 4

Additional information:

(c) where appropriate, the references of the harmonised standards applied;

(d) where appropriate, the other technical standards and specifications used;

(e) the details and the results of calculations performed in accordance

with Annex IV;

(f) a list of all equivalent models including the model identifier.

