



LI5 1080 EU Built-In Washing Machine with 15 washing programs



Quick Cycle



Washing capacity: 8Kg

DESCRIPTION

Built-In Washing Machine with 15 washing programs

LIFE STYLE

Total

COLOURS



REFERENCE

REF. 40830050
EAN. 8421152150429

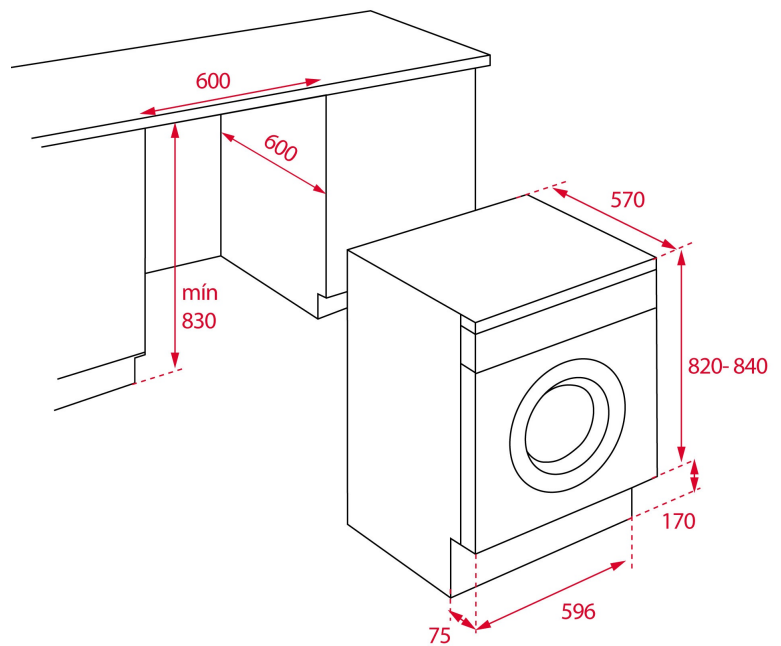


TEKA

LI5 1080 EU

FEATURES

Built-in Washing Machine
Electronic control panel
Washing capacity: 8 kg
15 washing programs
Fast program: 14 minutes
Special programs: ECO mode, Delicate
Delay timer function
SmartWash system
Maximum spinning speed: 1000 RPM
Automatic water regulation
Automatic door lock safety system
Child lock
SoftCare drum
Delay timer: 1-24 hours
30 cm wide porthole door



DIMENSIONS

Product height (mm): 820
Product width (mm): 596
Product depth (mm): 570
Product length (mm):
Net weight (Kg): 68

TECH SPECS

PRODUCT SHEET

Type of installation: Built-in
Energy consumption (kWh/year): 196
Water consumption (litres/year): 9850

POWER SUPPLY

Frequency (Hz): 50
Power rate (V): 220-240
Maximum Nominal Power (W): 1600
Nominal power motor (W): 350
Power of heating element (W): 1600

PARTICULAR CHARACTERISITICS

Stainless Steel Drum: Yes
Number of programs: 15
Number Of Washing Temperatures: 5
Control panel: ELECTRONIC
Electronic washing management: Yes
Child lock: Yes
Auto lock door: Yes
Cancel spin cycle button: Yes

CONTROL INDICATOR LIGHTS

Selected program indicator: Yes

SPECIAL FUNCTIONS

Remaining time: Yes

Fast program: Yes

Fast program (minutes): 14

Economic program: Yes

Intense program: Yes

Delayed Timer (h): 0-24

Delicate fabrics: Yes

Resistant: Yes

Quick Wash: Yes

EQUIPMENT

Adjustable Feet Back: Yes

Adjustable feet front: Yes



LI5 1080 EU

ENERGY LABEL

