



Nova 90 B-TG 2B Inset Nova Series sink with two bowls



200mm depth



Colour Intensity



Easy Clean



Food safe



High resistance

DESCRIPTION

Inset Nova Series sink with two bowls

COLOURS



REFERENCE

REF. 115260041
EAN. 8434778023879

The logo consists of a red square with the word "TEKA" in white, bold, uppercase letters.

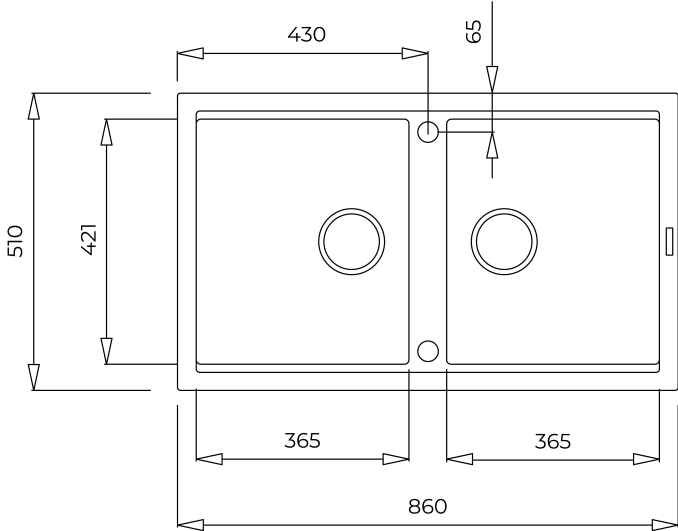
Nova 90 B-TG 2B

FEATURES

Nova Series
Tegranite+ sink
Two bowls
Inset installation
3½" automatic waste basket with siphon
HelixPro waste basket
200 mm deep bowls
90 cm base unit



Nova 90 B-TG 2B



DIMENSIONS

- Product height (mm):
- Product width (mm): 510
- Product depth (mm):
- Product length (mm): 860
- Net weight (Kg): 14,12

TECHNICAL DETAILS

MAIN BOWL

- Main Bowl Length (mm): 365
- Main Bowl Width (mm): 421
- Main Bowl Depth (mm): 200

OTHER FEATURES

- Material: Tegrinite+
- Type of installation: Inset
- Number of tap holes: Pre-Drilled
- Valve hole type: 3½"
- Overflow hole: Round

OTHERS

- Base unit (cm): 90

SECONDARY BOWL

- Secondary Bowl Length (mm): 365
- Secondary Bowl Width (mm): 421
- Secondary Bowl Depth (mm): 200

SINK LAY OUT

Number of bowls: 2
Number of drainers: 0
Drainer position: Reversible

ACCESSORIES

Installation clips: Yes
Siphon: Yes

