



MaestroPizza HLB 85-G1 P BM Infinity G1 MaestroPizza oven. Special edition by Italdesign Giugiaro



70L



DualClean



HydroClean



SoftClose

DESCRIPTION

Infinity G1 MaestroPizza oven. Special edition by Italdesign Giugiaro

LIFE STYLE

Maestro

COLOURS

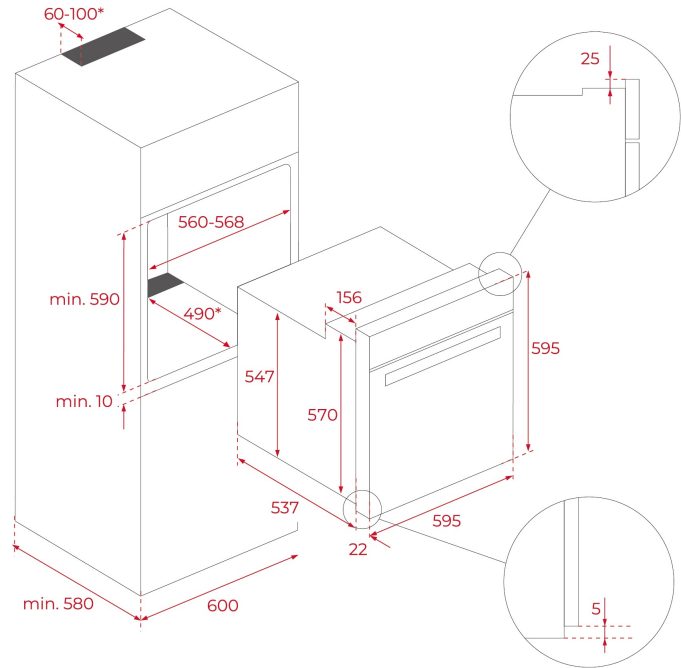


REFERENCE

REF. 111000056
EAN. 8434778022353

FEATURES

Infinity G1 special edition
Designed in Italy by Italdesign Giugiaro
Multifunction SurroundTemp oven
Exclusive matte black finishing
8 cooking functions
Pyrolysis self-cleaning system and automatic HydroClean system
Touch control display with knobs
Electronic timer (Delay/Start function)
Chrome supports with 5 cooking levels
Removable quadruple glazed door
Automatic disconnection security system
SoftClose system
Children safety lock
Manual quick preheating
Anti-tip deep tray, baking tray and reinforced grid
Special pizza stone included
Capacity (gross/net): 71 /70 litres



DIMENSIONS

Product height (mm): 595

Product width (mm): 595

Product depth (mm): 537+22

Product length (mm):

Net weight (Kg): 42

TECHNICAL DETAILS

FEATURES

Certificates: N / CE / CCA / CB / EAC

Number of cavities: 1

Type of inner light: Halogen

Inside light position: RIGHT TOP CORNER

Enamelled cavity: Yes

Min. Temperature Regulator (°C): 50

Max. Temperature Regulator (°C): 250

Function selector: 11+0

Number of cooking functions: 8

Top + Bottom function: Yes

Grill function: Yes

MaxiGrill function: Yes

ECO function: Yes

Mechanical quick heating: Yes

Knobs type: MMX FIX MATT

Removable chromed tray guides: Yes

Number of guide levels: 5

Easy slide telescopic guides: Yes

SoftClose: Yes

Maximum Nominal Power (W): 3552
Frequency (Hz): 50/60
Power rate (V): 220/240
Cable Connection Length (cm): 150
Plug: Yes
Inside light Consumption (W): 25

ENERGY CONSUMPTION

Energy consumption per cycle in conventional mode (kWh):
0.88
Energy consumption per cycle in fan-forced convection mode (kWh): 0,68
Bottom Heating Element (W): 1050
Grill (W): 1400
Maxi Grill (W): 2450
Traditional (W): 2450
Multifunction Turbo (W): 25
Cooling Fan Motor (W): 30

SAFETY SYSTEMS

Automatic disconnection when opening the door: Yes
Panel blocking system: Yes
Children safety block option: Yes
Grill protection: Yes
Anti-tip tray system: Yes
Safety Thermostat: Yes

CLEANING SYSTEM

Crystal Clean Enamel (Slippery): Yes
Hydroclean PRO: Yes
DualClean: Yes

ACCESSORIES

Baking Tray: 1
Deep Tray (50 mm): 1
Reinforced grid: 1
Baking Tray (lower cavity): 1
Deep Tray (lower cavity) (50 mm): 1

ENERGY EFFICIENCY

Energy Efficiency Class: A+
Energy Efficiency Index (EEI): 81

