



DVI 88-G1 EOS BM Infinity G1 80cm vertical hood. Special edition by Italdesign Giugiaro



LED



Perimeter extraction



Stop Delay Timer



Fresh AIR

DESCRIPTION

Infinity G1 80cm vertical hood. Special edition by Italdesign Giugiaro

LIFE STYLE

Maestro

COLOURS



REFERENCE

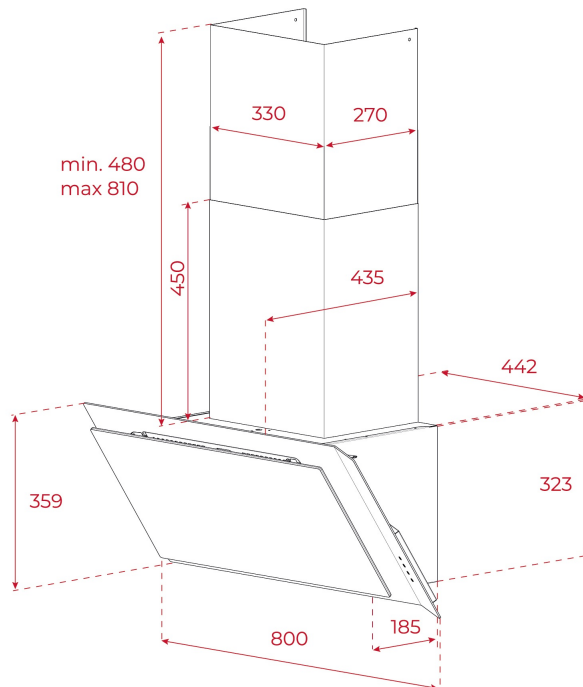
REF. 112930056
EAN. 8434778022018

FEATURES

Infinity G1 special edition
Designed in Italy by Italdesign Giugiaro
Decorative vertical hood
Exclusive matte black finishing
Push buttons control
FreshAir function
Rim extraction
Brushless EcoPower Motor
3 speeds + 1 intensive
Free Outlet exhaust capacity (m³/h): 786
Max speed exhaust capacity (m³/h): 800
2 LED lamps
1 aluminium filters with 3 layers
Stop delay timer
Filter saturation indicator
Anti-return valve included
Outlet reduction included
Optional recirculation kit with tube cover installation: CFH 15200 L3C
Optional regenerative recirculation kit with tube cover installation: RFH 15200 L3C
Optional recirculation kit without tube cover installation: CFH 15200 O2C
Optional regenerative recirculation kit without tube cover installation: RFH 15200 O2C
Optional Charcoal Filter: 113290015
Optional Regenerative filter: R1RTK

DIMENSIONS

Product height (mm): 810-1140
Product width (mm): 800
Product depth (mm): 409
Product length (mm):
Net weight (Kg): 17,5



TECHNICAL DETAILS

FEATURES

Ø Outlet (mm): 150
Removable oil collector: Yes
Dual Aspiration System: Yes
Type of inner light: LED
Inside light Consumption (W): 4
Plug type: Schuko plug
Cable Connection Length (cm): 100
Power rate (V): 220-240
Frequency (Hz): 50/60
Total hood power (W): 278
Number of motors: 1
Motor power (W): 270
Air flow (Qmin) m³/h: 232
Air flow (Qmax): 411
Air flow (Qboost): 726

ACCESSORIES

Anti Return valve: Yes
Outlet reduction: Yes
Outlet extension: No
Optional Charcoal Filter: C1RTK

Regenerative charcoal filter: R1RTK
Conventional recirculation kit (opt) - w/tube cover: CG1 15200
L3C
Regenerative recirculation kit (opt) - w/tube cover: RG1 15200
L3C
Conventional recirculation kit (opt) - w/o tube cover: CG1 15200
O2C
Regenerative recirculation kit (opt) - w/o tube cover: RG1
15200 O2C

MODELS

Number of filters: 1
Filter description: Black Design Aluminum Filters
Opening system: Piston
Control panel: Electronic soft buttons
Stop delay timer: Yes
Filter saturation indicator: Yes
Number of speeds: 3 + 1
Fresh air function: Yes



DVI 88-G1 EOS BM

ENERGY LABEL

