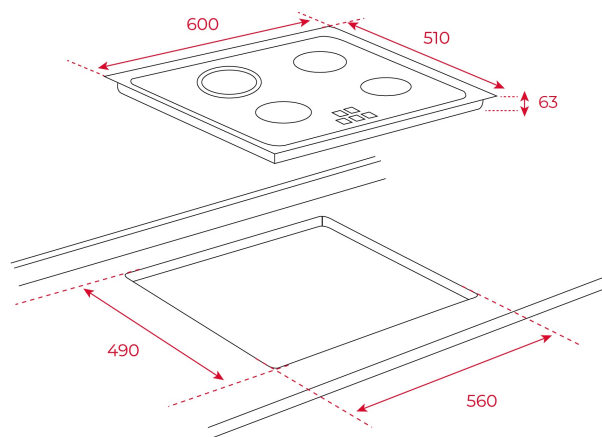


Autolock



Power Plus

Easy
installation

REFERENCE

REF: 40239032

EAN: 8421152148235

FEATURES

Vitreoceramic hob
 Touch Control
 3 cooking zones
 1 high lights Ø 210/270 mm
 1 high lights Ø 180 mm
 1 high lights Ø 145 mm
 Ceramic glass surface
 Easy installation kit
 Maximum nominal power 5400 W
 Optional: Grilling plate
 Optional: Teppanyaki

DIMENSIONS

Product height (mm): 51**Product width (mm):** 600**Product depth (mm):** 510**Product length (mm):****Net weight (Kg):** 8,7

TECHNICAL DETAILS

Power rate (V): 220-240

Frequency (Hz): 50/60

Maximum Nominal Power (W): -

COLOURS



40239032

Black glass

ENERGY EFFICIENCY

Power consumption in standby mode (W): -

Time to reach standby mode (min): -