

REFERENCE

REF: 112930017

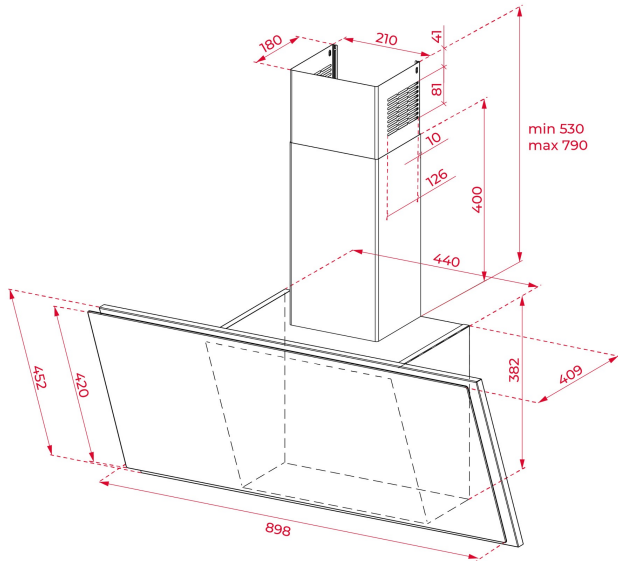
EAN: 8434778010718



LED

Perimeter
extractionStop Delay
Timer

Fresh AIR

**FEATURES**

Urban Colors Edition
 Decorative vertical hood
 Touch control
 FreshAir function
 Brushless EcoPower Motor
 3 speeds + 1 intensive
 Intensive speed exhaust capacity (m3/h): 740
 Max speed exhaust capacity (m3/h): 400
 Min speed exhaust capacity (m3/h): 270
 Intensive speed sound level (dBA): 59
 Max speed sound level (dBA): 48
 Min speed sound level (dBA): 42
 2 LED lamps
 2 Aluminum Filters
 Stop delay timer
 Filer saturation indicator
 Outlet reduction included
 Optional recirculation kit with tube cover installation: SET D11CTP
 Optional regenerative recirculation kit with tube cover installation: Set D12CTP
 Optional Charcoal Filter: D11C
 Optional Regenerative filter: D12C

DIMENSIONS**Product height (mm):** 912-1172**Product width (mm):** 898**Product depth (mm):** 409**Product length (mm):****Net weight (Kg):** 12,9**TECHNICAL DETAILS**

Energy Efficiency Class: A++
 Noise (LwA) Min Speed (dB): 53
 Noise (LwA) Max Speed (dB): 61
 Noise (LwA) Boost Speed (dB): 71
 Ø Outlet (mm): 150

COLOURS

112930017 Black



112930020 White