

**EWH 50 VE-D**

Smart Control water heater with temperature LED indicator and 50L capacity



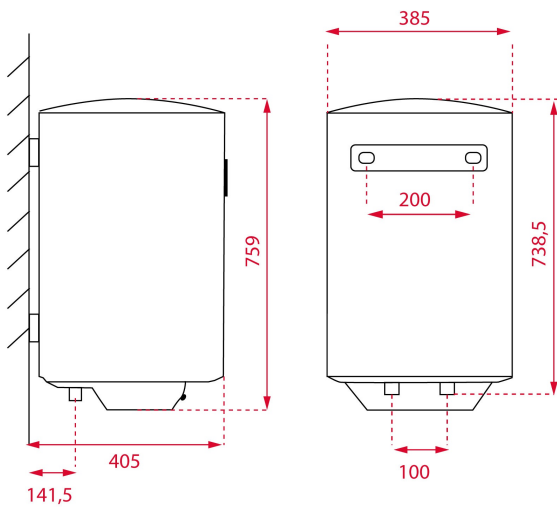
Dry  
Heating  
Protection



Humidity  
Control



Overheating  
Protection

**REFERENCE**

REF: 42080320

EAN: 8421152149232

**FEATURES**

Smart series: Habits-based adapting system

Vertical installation

Capacity: 50 litres

Average number of users: 2-3

Tank ultra-resistant protective polish

Enamelled heating element

Temperature regulation 30° - 75° C

Max input pressure: 0.75 Mpa

Over-pressure protection

Over-heating protection

Humidity protection

Dry-heating protection

Power rate: 1500 W

Isolation thickness: 20 mm

**DIMENSIONS****Product height (mm):** 759**Product width (mm):** 385**Product depth (mm):** 385**Product length (mm):****Net weight (Kg):** 17,8**COLOURS**

42080320 White