

Stone 60 L-TG 1B 1D

Inset Tegrinite sink with one bowl and one drainer

REFERENCE

REF: 115330009

EAN: 8434778005899

FEATURES

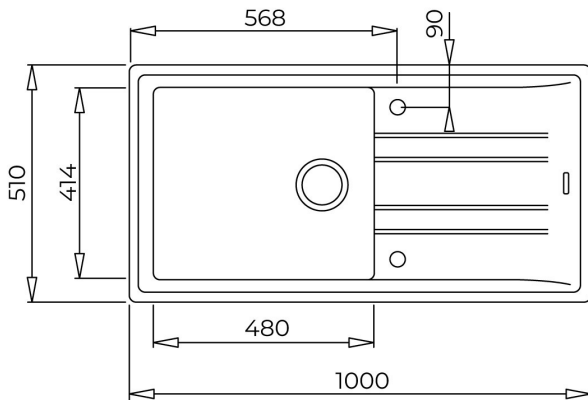
Stone Series
 Tegrinite+ sink
 One bowl and one drainer
 High resistance surface to impacts, thermal shocks and high temperatures
 Excellent UV resistance against decoloring
 Bacteria-free surface very easy to clean
 Inset installation
 80% quartz and resins
 3½" automatic basket waste with siphon
 200 mm deep bowl
 60 cm base unit

200mm
depthColour
Intensity

Easy Clean



Food safe

High
resistance**DIMENSIONS****Product height (mm):****Product width (mm):** 510**Product depth (mm):** 200**Product length (mm):** 1000**Net weight (Kg):** 13,5**COLOURS**

	115330009	Sandbeige
	115330013	Metallic grey
	115330013	Topasbeige
	115330013	Carbon
	115330013	White
	115330013	Metallic black
	115330013	Dark grey