



**ML 822 BIS** Built-in Microwave with ceramic base + Grill



Ceramic base



Defrost By Time



Defrost By Weight



Direct Access Menu



Electronic Door Opening



22L

**DESCRIPTION**

Built-in Microwave with ceramic base + Grill

**LIFE STYLE**

Maestro

**COLOURS**



**REFERENCE**

REF. 40584301  
EAN. 8421152145500

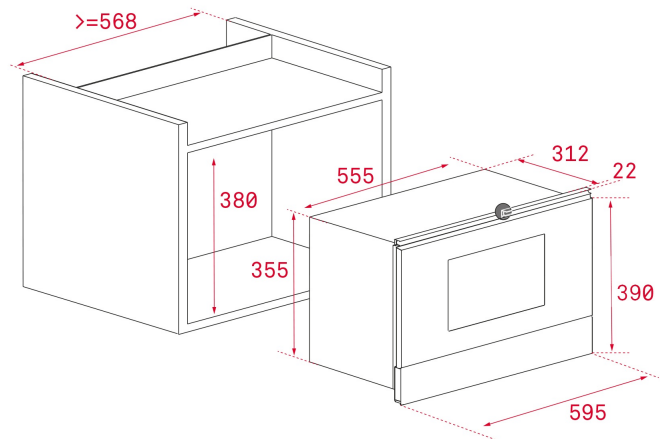


**TEKA**

**ML 822 BIS**

**FEATURES**

Ceramic base microwave + grill  
Electronic glass control panel with digital clock  
Dropdown grill, 1.200W  
5 power levels, 850 W out  
Stainless steel cavity  
Ceramic base with uniform heating  
Forced tangential ventilation  
Program selector and electronic functions  
Quick start 30''  
Defrost (5 programs)  
9 direct access menus  
Browning plate and reinforced grill grid



## DIMENSIONS

**Product height (mm):** 390  
**Product width (mm):** 595  
**Product depth (mm):** 334  
**Product length (mm):**  
**Net weight (Kg):** 22

## TECH SPECS

### PARTICULAR CHARACTERISTICS

**Certificates:** CE/CB/Gmark  
**Type of inner light:** INCANDESCENT  
**Inside light position:** RIGHT  
**Number of cooking functions:** 3  
**Grill function:** Yes  
**Drop-down grill:** Yes  
**Number of guide levels (lower cavity):** 0  
**Forced refrigeration tangential 1 speed:** Yes  
**Microwave function:** Yes  
**Microwave + Grill function:** Yes  
**Number of power levels:** 5  
**Minute Quick Start:** Yes  
**Seconds Quick Start:** Yes  
**Tangential ventilation:** Yes

### ELECTRIC CONNECTION

**Maximum Nominal Power (W):** 2500  
**Frequency (Hz):** 50  
**Power rate (V):** 220-240  
**Cable Connection Length (cm):** 110  
**Plug:** Yes

## **ENERGY CONSUMPTION**

**Inside light Consumption (W): 20**

**Grill (W): 1200**

**Maxi Grill (W): 1200**

**Cooling Fan Motor (W): 18**

## **SECURITY SYSTEM**

**Automatic disconnection when opening the door: Yes**

**Panel blocking system: Yes**

**Children safety block option: Yes**

**Grill protection: Yes**

**Safety Thermostat: Yes**

## **ACCESSORIES**

**Glass Tray: 0**

**Crunch plate: YES**

