



TKD 1490 9kg Free Standing washing machine with inverter motor



Hand Wash



Quick Cycle



Washing
capacity: 9Kg

DESCRIPTION

9kg Free Standing washing machine with inverter motor

LIFE STYLE

Maestro

COLOURS

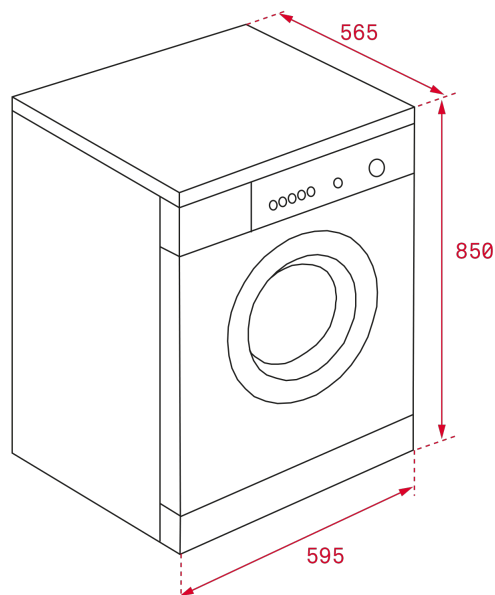


REFERENCE

REF. 40874451
EAN. 8421152146422

FEATURES

Free standing washing machine
Washing capacity: 9 Kg
Inverter Motor
Washing Programs: 16
Electronic control panel
Digital display LCD
Maximum spin speed : 1400 rpm
Electronic washing management (Fuzzy Logic)
Special Programs Wool, baby care and 15'
Fast program 15 minutes
32 cm wide crystal door
Function buttons for: temperature, spinning speed, remaining time and special functions
Automatic water regulation
Delay timer 1-24h
Balance control system
Locking system in case of lack of water or electricity
Foam control system
/B
Energy consumption: 175 kWh/year
Water consumption: 10.000 liters/year

TEKA**TKD 1490**

DIMENSIONS

Product height (mm): 850

Product width (mm): 595

Product depth (mm): 565

Product length (mm):

Net weight (Kg): 71

TECH SPECS

PRODUCT SHEET

Type of load: Front

Type of installation: Free standing

Washing capacity (Kgs): 9

Energy consumption (kWh/year): 218

Water consumption (litres/year): 14000

Maximum spinning speed (RPM): 1400

Certificates: CE + Reach

POWER SUPPLY

Frequency (Hz): 50

Power rate (V): 220-240

Maximum Nominal Power (W): 2050

Nominal power motor (W): 500

Power of heating element (W): 1800

PARTICULAR CHARACTERISTICS

Stainless Steel Drum: Yes

Glass door diameter (cms): 32

Number of programs: 16

Number Of Washing Temperatures: 6

Control panel: ELECTRONIC

CONTROL INDICATOR LIGHTS

SPECIAL FUNCTIONS

EQUIPMENT

PRODUCT INFORMATION SHEET (UE) 2019/2014

TECHNICAL DOCUMENTATION (UE) 2019/2014

Electronic washing management: Yes

Child lock: Yes

Auto lock door: Yes

Cancel spin cycle button: Yes

Selected program indicator: Yes

Remaining time: Yes

Fast program: Yes

Fast program (minutes): 15

Economic program: Yes

Intense program: Yes

Delayed Timer (h): 1-24

Extra rinse: Yes

Delicate fabrics: Yes

Quick Wash: Yes

Adjustable Feet Back: Yes

Adjustable feet front: Yes

Supplier's name or trade mark : TEKA

Supplier's address : C/Cajo, 17, 39011, Santander , Spain

Model identifier : TKD 1490

General product parameters

Dimensions (cm)

Height : 85

Width : 59,5

Depth: 56,5

Consumption and efficiency

Maximum temperature inside the treated textile (a) (°C)

Remaining moisture content (a) (%)

Spin speed (a) (rpm)

Eco 40-60 programme duration (a) (h:min)

Other

Additional information:

Weblink to the supplier's website, where the information in point 9 of Annex II to Commission Regulation (EU) 2019/2023 (1) (b) is found:

(a) for the eco 40-60 programme.

(b) changes to these items shall not be considered relevant for the purposes of paragraph 4 of Article 4 of Regulation (EU) 2017/1369.

(c) if the product database automatically generates the definitive content of this cell the supplier shall not enter these data.

Additional information:

(c) where appropriate, the references of the harmonised standards applied;

(d) where appropriate, the other technical standards and specifications used;

(e) the details and the results of calculations performed in accordance with Annex IV;

(f) a list of all equivalent models including the model identifier.

