



TKD 1280 (EXP) 8kg Washing Machine SPA with Woolmark certification



Woolmark
Certificate



Hand Wash



Quick Cycle



Washing
capacity: 8Kg

DESCRIPTION

8kg Washing Machine SPA with Woolmark certification

LIFE STYLE

Maestro

COLOURS

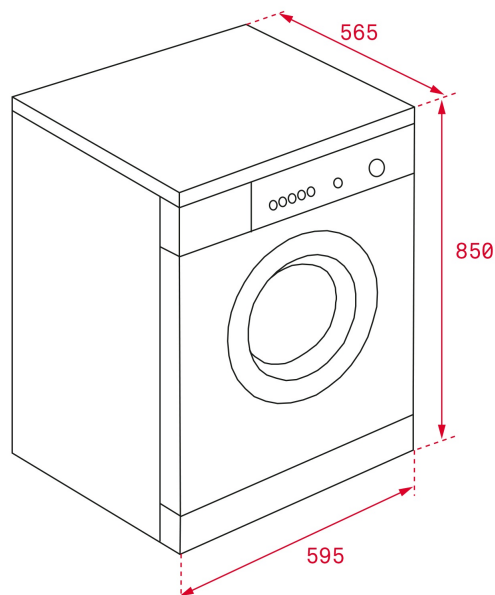


REFERENCE

REF. 40874422
EAN. 8421152131909

FEATURES

Free standing washing machine
Washing capacity: 8 Kg
16 washing programs
Woolmark® certification
Maximum spin speed: 1200 r.p.m
Electronic control panel
LCD display
Electronic washing management (Fuzzy Logic)
Fast program 15 minutes
My Cycle program
Special programs: wool, children's clothing and 15'
Delay timer 1-24h
Balance control system
Locking system in case of lack of water or electricity
Foam control system 32 cm wide porthole
Function buttons for: on/off, program selector,
delay programming, temperature, spinning
exclusion and special functions
/B

TEKA**TKD 1280 (EXP)**

DIMENSIONS

Product height (mm): 850

Product width (mm): 595

Product depth (mm): 565

Product length (mm):

Net weight (Kg): 66

TECH SPECS

PRODUCT SHEET

Type of load: Front

Type of installation: Free standing

Washing capacity (Kgs): 8

Energy consumption (kWh/year): 196

Water consumption (litres/year): 11000

Maximum spinning speed (RPM): 1200

Certificates: CE + Reach + ERP

POWER SUPPLY

Frequency (Hz): 50

Power rate (V): 220-240

Maximum Nominal Power (W): 2000

Nominal power motor (W): 500

Power of heating element (W): 1800

PARTICULAR CHARACTERISTICS

Stainless Steel Drum: Yes

Glass door diameter (cms): 32

Number of programs: 16

Number Of Washing Temperatures: 6

Control panel: ELECTRONIC

CONTROL INDICATOR LIGHTS

Electronic washing management: Yes

Child lock: Yes

Auto lock door: Yes

Cancel spin cycle button: Yes

Selected program indicator: Yes

Remaining time: Yes

Extra rinse indicator: Yes

SPECIAL FUNCTIONS

Fast program: Yes

Fast program (minutes): 15

Economic program: Yes

Intense program: Yes

Delayed Timer (h): 1-24

Extra rinse: Yes

Delicate fabrics: Yes

Quick Wash: Yes

EQUIPMENT

Adjustable Feet Back: Yes

Adjustable feet front: Yes

PRODUCT INFORMATION SHEET (UE) 2019/2014

Supplier's name or trade mark : TEKA

Supplier's address : C/Cajo, 17, 39011, Santander , Spain

Model identifier : TKD 1280 (EXP)

General product parameters

Dimensions (cm)

Height : 85

Width : 59,5

Depth: 56,5

Consumption and efficiency

Maximum temperature inside the treated textile (a) (°C)

Remaining moisture content (a) (%)

Spin speed (a) (rpm)

Eco 40-60 programme duration (a) (h:min)

Other

Additional information:

Weblink to the supplier's website, where the information in point 9 of Annex II to Commission Regulation (EU) 2019/2023 (1) (b) is found:

(a) for the eco 40-60 programme.

(b) changes to these items shall not be considered relevant for the purposes of paragraph 4 of Article 4 of Regulation (EU) 2017/1369.

(c) if the product database automatically generates the definitive content of this cell the supplier shall not enter these data.

TECHNICAL DOCUMENTATION (UE) 2019/2014

Additional information:

(c) where appropriate, the references of the harmonised standards applied;

(d) where appropriate, the other technical standards and specifications used;

(e) the details and the results of calculations performed in accordance with Annex IV;

(f) a list of all equivalent models including the model identifier.

