



ML 8220 BIS N Urban Colors Edition Built-in Microwave with ceramic base



Ceramic base



Defrost By Time



Defrost By Weight



Direct Access Menu



Electronic Door Opening



22L

DESCRIPTION

Urban Colors Edition Built-in Microwave with ceramic base

LIFE STYLE

Maestro

COLOURS



REFERENCE

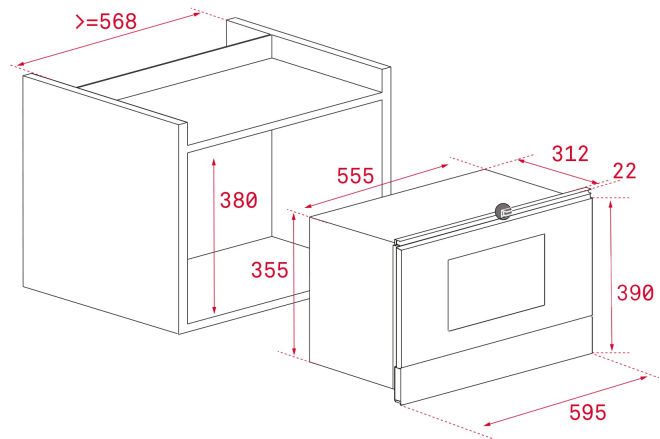
REF. 112030001
EAN. 8434778007688



ML 8220 BIS N

FEATURES

Urban Colors Edition
Ceramic base microwave + grill
Electronic glass control panel with digital clock
Dropdown grill, 1.200W
5 power levels, 850 W out
Stainless steel cavity
Ceramic base with uniform heating
Forced tangential ventilation
Program selector and electronic functions
Quick start 30''
Defrost (5 programs)
9 direct access menus
Browning plate and reinforced grill grid



DIMENSIONS

Product height (mm): 390
Product width (mm): 595
Product depth (mm): 334
Product length (mm):
Net weight (Kg): 22

TECH SPECS

PARTICULAR CHARACTERISTICS

Certificates: CE/CB/Gmark
Type of inner light: INCANDESCENT
Inside light position: RIGHT
Number of cooking functions: 3
Grill function: Yes
Drop-down grill: Yes
Number of guide levels (lower cavity): 0
Forced refrigeration tangential 1 speed: Yes
Microwave function: Yes
Number of power levels: 5
Minute Quick Start: Yes
Tangential ventilation: Yes

ELECTRIC CONNECTION

Maximum Nominal Power (W): 2500
Frequency (Hz): 50
Power rate (V): 220-240
Cable Connection Length (cm): 110
Plug: Yes
Inside light Consumption (W): 20

ENERGY CONSUMPTION

Grill (W): 1200
Maxi Grill (W): 1200
Cooling Fan Motor (W): 18

SECURITY SYSTEM

Automatic disconnection when opening the door: Yes
Panel blocking system: Yes
Grill protection: Yes
Safety Thermostat: Yes

ACCESSORIES

Crunch plate: YES

