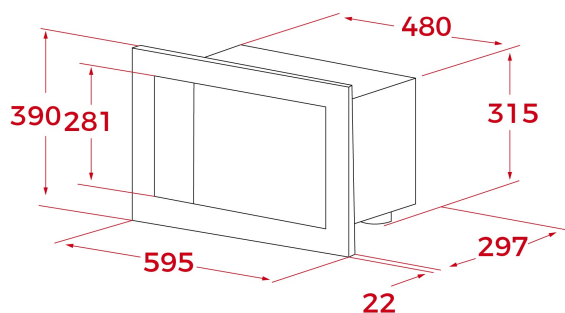


TEKA**ML 820 BIS BK-SS**

Built-in microwave with grill and touch control

Defrost By
TimeDefrost By
WeightDirect
Access
Menu**REFERENCE**

REF: 40584200

EAN: 8421152145555

FEATURES

Built-in Microwave + Grill

3 cooking functions

3 direct access menus

1 memory

5 power levels, 1200 W

Grill power: 1000 W

Defrost by time and weight

Touch control display with knobs and minute minder

Double glazed door with right opening

Children safety lock

Automatic disconnection when open door

Quick start

Capacity (gross/net): 20 / 18 litres

Stainless steel cavity

DIMENSIONS**Product height (mm):** 390**Product width (mm):** 595**Product depth (mm):** 325**Product length (mm):****Net weight (Kg):** 17,5**TECHNICAL DETAILS**

MWO Power (W): 750

Frequency (Hz): 50

Maximum Nominal Power (W): 1200

Grill (W): 1000

COLOURS

40584200

Black glass with frame



40584203

White glass with frame