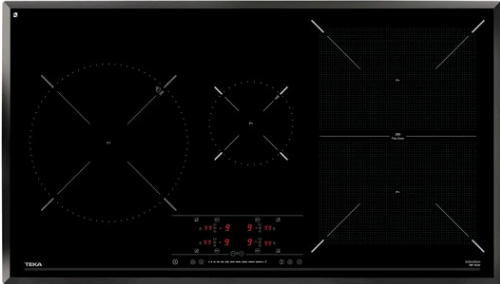




SPACE IRF 9430 90cm Flex Induction Hob with 5 zones and Slider Touch Control



Autolock



Power Plus



Slider



Easy
installation



Flex

DESCRIPTION

90cm Flex Induction Hob with 5 zones and Slider Touch Control

LIFE STYLE

Maestro

COLOURS

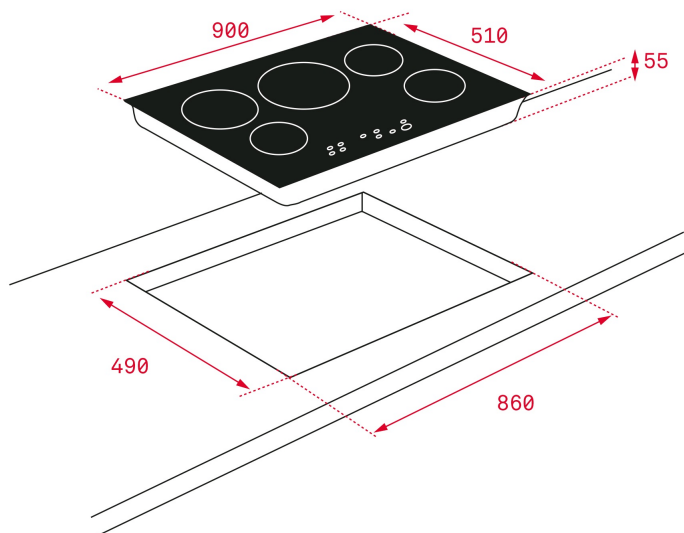


REFERENCE

REF. 10210185
EAN. 8421152148556

FEATURES

Space induction hob
Touch control slider
Cooking timer
4 cooking zones:
2 Flex induction 270 x 180 mm=280x385
1 induction Ø 280 mm
1 induction Ø 145 mm
1 FlexiZone 280 x 385 mm
Power Plus function
Child lock
Stop & Go Function
Residual heat indicators
Synchro function
Pan detector
Low-temperature function
Maximum nominal power : 7.400 W



DIMENSIONS

Product height (mm): 50
Product width (mm): 900
Product depth (mm): 510
Product length (mm):
Net weight (Kg): 14,3

TECH SPECS

FITTING MEASURES

Built-in Width (mm): 860
Built-in Depth (mm): 490
Built-in Height (mm): 50

PARTICULAR CHARACTERISTICS

Number of electric power levels: 9
Quick Boiling: Yes
Keeping warm: Yes
Low-temp Function: Yes

ELECTRIC CONNECTION

Frequency (Hz): 50/60
Power rate (V): 220-240
Cable Connection Length (cm): 110
Maximum Nominal Power (W) (Electric hob): 7400

COOKING ZONES

Cooking Zones: 4
Energy consumption for the whole hob, Wh/Kg: 189,2
Left rear cooking zone - Consumption in Wh/Kg (EU 66/2014):

No

Left center cooking zone - Diameter (mm): 280

Left center cooking zone - Type: Single Zone

Left front cooking zone - Consumption in Wh/Kg (EU 66/2014):
171,7

Center rear cooking zone - Consumption in Wh/Kg (EU 66/2014): No

Center center cooking zone - Diameter (mm): 145

Center center cooking zone - Type: Single Zone

Center front cooking zone - Consumption in Wh/Kg (EU 66/2014): 201,5

Right rear cooking zone - Type: Flex Zone

Right rear cooking zone - Consumption in Wh/Kg (EU 66/2014):
No

Right front cooking zone - Diameter (mm): 270 x 180

Right front cooking zone - Type: Flex Zone

Right front cooking zone - Consumption in Wh/Kg (EU 66/2014): 194,3

SECURITY SYSTEM

Residual heat indicator (Gas): Yes

Residual heat indicator (Electric hob): Yes

Automatic safety disconnection (Auto Lock) (Electric hob): Yes

Safety Blocking: Yes

Child lock: Yes

FINISH

Surface finishing: Full bevelled glass

Surface type: Ceramic Glass (4mm)

Easy installation system: Yes

ACCESSORIES

Junction Kit: NO

Teppan Yaki: Optional

