



# DVU 590 90cm Vertical Hood with Touch Control panel and remote control



Remote Control



LED



Stop Delay  
Timer

**DESCRIPTION**

90cm Vertical Hood with Touch Control panel and remote control

**LIFE STYLE**

Maestro

**COLOURS**



**REFERENCE**

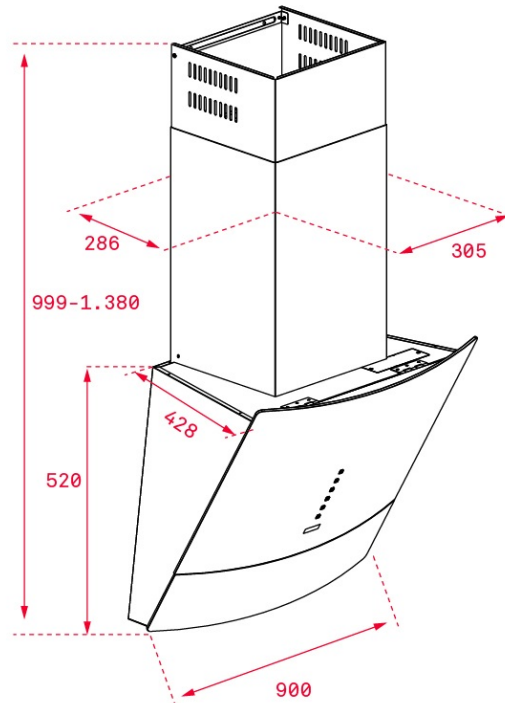
REF. 40491305  
EAN. 8421152127261

**FEATURES**

Vertical decorative hood  
Touch control panel  
Remote control  
Operating pilot light  
Conventional aspiration  
3 speeds  
Exhaust capacities:  
Free Outlet (m<sup>3</sup>/h): 553  
Max. (m<sup>3</sup>/h): 538  
Min. (m<sup>3</sup>/h): 443  
Noise (LwA) Max Speed 59 dB  
Noise (LwA) Min Speed 50 dB  
LED illumination  
2 aluminium filters  
Stop delay timer

## DIMENSIONS

**Product height (mm):** 1001-1391  
**Product width (mm):** 900  
**Product depth (mm):** 432  
**Product length (mm):**  
**Net weight (Kg):** 31



## TECH SPECS

### PARTICULAR CHARACTERISTICS

**Certificates:** CE  
**Ø Outlet (mm):** 150  
**Type of inner light:** LED  
**Inside light Consumption (W):** 2  
**Plug type:** European plug  
**Power rate (V):** 220V240V  
**Frequency (Hz):** 50  
**Total hood power (W):** 204  
**Number of motors:** 1  
**Motor power (W):** 200

**EU REGULATION NO. 65/2014  
 &66/2104**

**Annual energy consumption AEC kWh/annum (kWh):** 89,0  
**Energy Efficiency Class:** D  
**Fluid Dynamic Efficiency (FDEhood):** 15,3  
**Fluid Dynamic Efficiency class:** D  
**Light Efficiency (Lehood) lux/Watt:** 33,0  
**Lighting Efficiency class:** A  
**Grease Filtering Efficiency class:** D  
**Air flow (Qmin) m3/h:** 443  
**Air flow (Qmax):** 538

**Air flow (Qboost):** 0  
**Noise (LwA) Min Speed (dB):** 50  
**Noise (LwA) Max Speed (dB):** 59  
**Noise (LwA) boost speed (dB):** 0  
**Off mode Power (Po) W:** 0,00  
**Standby Power (Ps) W:** 0,36  
**Energy Efficiency Index (EEI):** 86,2  
**Time increase factor:** 1,5  
**Air pressure at best efficiency point(Pbep) Pa:** 258  
**Electric power input at best efficiency point (Wbep) W:** 150,8  
**Nominal power of the lighting system (WL) W:** 4  
**Average illumination of the lighting system on the cooking surface (Emiddle) Lux:** 131

## ACCESSORIES

**Anti Return valve:** Yes  
**Outlet reduction:** Yes  
**Optional Charcoal Filter:** D6C  
**Charcoal filter description:** CHARCOAL FILTER D6C

## MODELS

**Number of filters:** 2  
**Filter description:** aluminum  
**Control panel:** SOFT TOUCH WITH REMOTE CONTROL (AUTO OPENING)  
**Remote control:** Yes  
**Stop delay timer:** Yes  
**Number of speeds:** 3

## PRODUCT INFORMATION SHEET - DELEGATED REGULATION (EU) 65/2014

**Supplier name or trademark:** TEKA  
**Model identifier:** DVU 590  
**Annual Energy Consumption:** 89,0  
**Energy Efficiency Class:** D  
**Fluid Dynamic Efficiency:** 15,3  
**Fluid Dynamic Efficiency class:** D  
**Lighting Efficiency:** 33,0  
**Lighting Efficiency class:** A  
**Grease Filtering Efficiency class:** D  
**Air flow (min speed normal use):** 443  
**Air flow (max speed normal use):** 538  
**Air flow (intensive or boost use):** 0  
**Airborne acoustical A-weighted sound power emissions (min speed normal use):** 50  
**Airborne acoustical A-weighted sound power emissions (max speed normal use):** 58  
**Power consumption in off mode (W):** 0,00  
**Power consumption in standby mode (W):** 0,36



DVU 590

ENERGY LABEL

