



TGI2 120 D 82cm A+ Built-in Freezer



A Energy Class

DESCRIPTION

82cm A+ Built-in Freezer

LIFE STYLE

Total

COLOURS

REFERENCE

REF. 40694000
EAN. 8421152084915

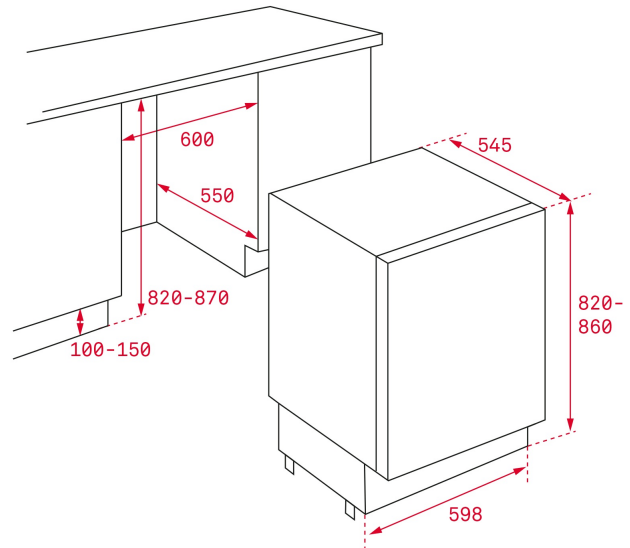


TEKA

TGI2 120 D

FEATURES

Built-under freezer
Electronic control panel
4* freezer
3 freezer drawers
Door on door installation
Reversible door
Energy Class: A+
Climate Class: SN-T
Noise level: 39 dBA
Total gross capacity: 96 litres
Net capacity: 87 litres



DIMENSIONS

Product height (mm): 818
Product width (mm): 595
Product depth (mm): 545
Product length (mm):
Net weight (Kg): 31

TECH SPECS

FITTING MEASURES

Built-in Width (mm): 0
Built-in Depth (mm): 0
Built-in Height (mm): 0
Built-in niche (cm): 82

PRODUCT SHEET

Cooling system: DEFROST
Energy Efficiency Class: A+
Total gross capacity (litres): 96
Refrigerator compartment capacity (litres): NA
Chilling Compartment Capacity (litres): NA
Freezer compartment capacity (litres): 87
Freezer classification: 4
Freezing capacity: 6
Annual Consumption (kWh/year): 183
Temperature Rise Time (h): 19
Climate class: SN/T
Noise level (dB): 42

POWER SUPPLY

Frequency (Hz): 50

**PARTICULAR
CHARACTERISITICS**

Power rate (V): 230
Power rate (W): 75
Defrost element power (W): NA
Energy consumption (kw/day): 0,501
Plug type: European
Cable Connection Length (cm): 1.93
Inside light Consumption (W): NA

Type of installation: Built-in
Number of bottles (wine cooler): NA
Electronic control: Yes
Control panel: Electronic
Electronic adjustable thermostat: Yes
Antibacterial treatment: NO
Fast freezing: Yes
Type of inner light: NA
Reversible doors: Yes

CONTROL INDICATOR LIGHTS

Operating light freezer: Yes
Fast freezing indicator: Yes

EQUIPMENT

Chromed bottle rack: NA
Antibacterial gasket: Yes
Multipurpose compartment: NA
Ice cubes tray: 1
Bottle rack type: NA
Adjustable feet front: Yes
Number of shelves: NA
Vegetable drawers: NA
Temperature and humidity regulation in drawers: NA



TGI2 120 D

ENERGY LABEL

The energy label for the TEKA TGI2 120 D refrigerator is a vertical rectangular sticker. At the top left is the European Union flag. To its right is the word "ENERG" in large blue letters, with "енергия · ενέργεια" in smaller text below it. Further right are two circular icons: one with "Y" and "UA" and another with "IE" and "IA". Below this header is the TEKA logo and the model number "TGI2 120 D". The central part of the label features a vertical scale of seven energy efficiency classes, each represented by a colored arrow pointing to the right: A+++ (dark green), A++ (medium green), A+ (light green), A (yellow-green), B (yellow), C (orange), and D (red). A black arrow points from the right towards the A+ class. Below the scale, the text "ENERGIA · ЕНЕРГІЯ", "ENERGIA · ENERGIA", and "ENERGIE · ENERGI" is printed in small letters. To the right of this text is a white box containing the number "183" and the unit "kWh/annum". At the bottom of the label are three icons: a water tap with "1L" (indicating water consumption), a snowflake with "87 L" (indicating freezer capacity), and a speaker with "42 dB" (indicating noise level). The bottom left corner of the label contains the number "2010/1066".