



NFB 320 188cm A+ Full No Frost Combi Refrigerator



A Energy Class



Fresh Box



Full No Frost



Zero Box

DESCRIPTION

188cm A+ Full No Frost Combi Refrigerator

LIFE STYLE

Easy

COLOURS



REFERENCE

REF. 40698091
EAN. 8421152119587

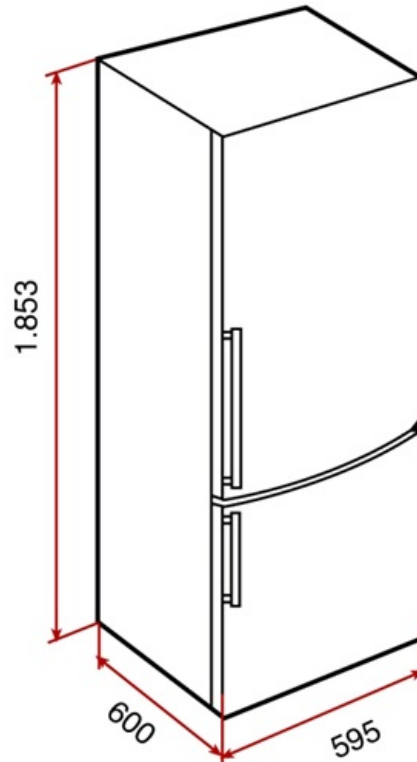


TEKA

NFB 320

FEATURES

Full No Frost Combi refrigerator
Electronic control panel
Stainless steel finishing
4 * freezer
Antibacterial gasket
Safety glass shelves
0-3° Zone
2 vegetable drawers
Energy Class : A+
Climate Class : SN-T
Noise level : 43 dBA
Total gross capacity : 320 litres
Net capacity (fridge) : 172 litres
Net capacity (chiller) : 25 litres
Net capacity (freezer) : 90 litres
Voltage : 220/40-50 Hz



DIMENSIONS

Product height (mm): 1853
Product width (mm): 595
Product depth (mm): 600
Product length (mm):
Net weight (Kg): 64

TECH SPECS

FITTING MEASURES

Built-in niche (cm): NA

PRODUCT SHEET

Cooling system: FULL NF
Energy Efficiency Class: A+
No Frost In Refrigerator Compartment: Yes
No Frost in freezer compartment: Yes
Total gross capacity (litres): 320
Refrigerator compartment capacity (litres): 172
Chilling Compartment Capacity (litres): 25
Freezer compartment capacity (litres): 90
Freezer classification: 4
Freezing capacity: 4,0
Annual Consumption (kWh/year): 333
Temperature Rise Time (h): 17
Climate class: SN/T
Noise level (dB): 43
Certificates: CE, TUV

POWER SUPPLY

Frequency (Hz): 50

**PARTICULAR
CHARACTERISITICS**

Power rate (V): 230
Power rate (W): 120
Defrost element power (W): 127
Energy consumption (kw/day): 0,913

Type of installation: Free standing
Number of bottles (wine cooler): NA
Automatic defrosting in the refrigeration compartment: Yes
Automatic defrosting in the freezer compartment: Yes
Antibacterial treatment: NO
Inner light: Yes
Type of inner light: STANDARD BULB
Reversible doors: Yes
External handle: Yes

EQUIPMENT

Antibacterial gasket: Yes
Multipurpose compartment: NO
Ice cubes tray: 1
Bottle rack type: NO
Adjustable feet front: Yes
Roller (rear): Yes
Refrigerator adjustable shelves: Yes
Vegetable drawers: 2
Temperature and humidity regulation in drawers: FRESH BOX



NFB 320

ENERGY LABEL

The energy label for the TEKA NFB 320 W refrigerator is a rectangular sticker with a blue border. At the top left is the European Union flag. To its right, the word "ENERG" is written in large blue letters, with "енергия · ενεργεια" below it. Further right are four small circles containing the letters Y, IA, IE, and IA. Below the flag and text is the TEKA logo and the model number "NFB 320 W".

The central part of the label features a vertical energy scale with five colored bars: A+++ (dark green), A++ (green), A+ (light green), A (yellow), B (orange), C (red-orange), and D (red). A black arrow points to the A+ level.

Below the scale, the text "ENERGIA · ЕНЕРГИЯ · ΕΝΕΡΓΕΙΑ · ENERGIA · ENERGI" is written in small letters. To the right, a white box contains the number "333" and the unit "kWh/annum".

At the bottom, there are three icons in rounded squares: a refrigerator icon with "197 L", a snowflake icon with "90 L", and a speaker icon with "43 dB".

At the very bottom left, the number "2010/1060" is printed.