



TKS2 650 7kg Free Standing Dryer with humidity control



Quick Cycle



Washing
capacity: 7Kg

DESCRIPTION

7kg Free Standing Dryer with humidity control

LIFE STYLE

Easy

COLOURS



REFERENCE

REF. 40851110
EAN. 8421152087329

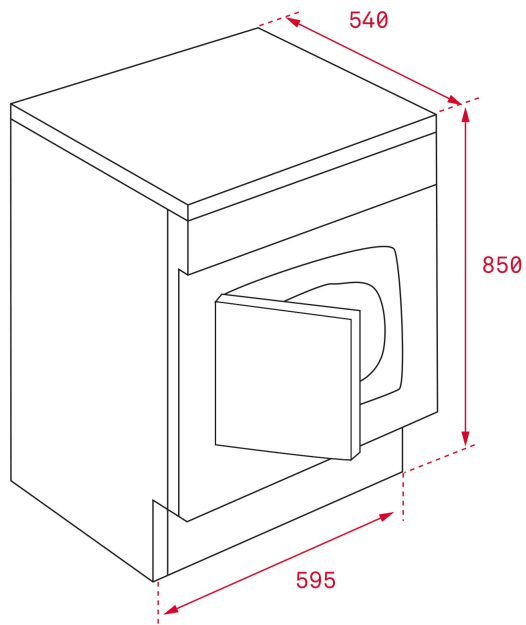


TEKA

TKS2 650

FEATURES

Free standing dryer
Vented dryer
15 programmes
Drying capacity : 7 kg
Electronic control panel
Humidity sensor
Easy ironing program
Delicate clothing program clothing program
Drying time selector
Bi-directional rotation
Removable filter with saturation level indicator
Energy Class : C



DIMENSIONS

Product height (mm): 850

Product width (mm): 595

Product depth (mm): 540

Product length (mm):

Net weight (Kg): 30000

TECH SPECS

PRODUCT SHEET

Type of installation: Free standing

Drying capacity (Kgs): 7

Certificates: CE, VDE

POWER SUPPLY

Frequency (Hz): 50

Power rate (V): 230

Maximum Nominal Power (W): 2200

Nominal power motor (W): 230

Power of heating element (W): 2000

PARTICULAR CHARACTERISITICS

Number of programs: 15

Control panel: PL 2-H LED

Electronic washing management: Yes

Bidirectional rotation: Yes

Reversible door: Yes

SPECIAL FUNCTIONS

Fast program: Yes

EQUIPMENT

PRODUCT INFORMATION SHEET (UE) 2019/2014

Fast program (minutes): 10,20,40,60

Delicate fabrics: Yes

Easy ironing/anti crease: Yes

Adjustable feet front: Yes

General product parameters

Dimensions (cm)

Consumption and efficiency

Maximum temperature inside the treated textile (a) (°C)

Remaining moisture content (a) (%)

Spin speed (a) (rpm)

Eco 40-60 programme duration (a) (h:min)

Other

Additional information:

Weblink to the supplier's website, where the information in point 9 of Annex II to Commission Regulation (EU) 2019/2023 (1) (b) is found:

(a) for the eco 40-60 programme.

(b) changes to these items shall not be considered relevant for the purposes of paragraph 4 of Article 4 of Regulation (EU) 2017/1369.

(c) if the product database automatically generates the definitive content of this cell the supplier shall not enter these data.

Additional information:

(c) where appropriate, the references of the harmonised standards applied;

(d) where appropriate, the other technical standards and specifications used;

(e) the details and the results of calculations performed in accordance with Annex IV;

(f) a list of all equivalent models including the model identifier.

TECHNICAL DOCUMENTATION (UE) 2019/2014



TKS2 650

ENERGY LABEL

The energy label for the TEKA TKS2 650 washing machine is a vertical rectangular sticker. At the top left is the European Union flag. To its right is the word "ENERG" in large blue letters, with "енергия" (energy) in Cyrillic and "енерџија" (energy) in Serbian below it. Further right are two circular icons: one with "Y IJA" and another with "IE IA". Below this header is the TEKA logo and the model number "TKS2 650". The central part of the label features a scale of energy efficiency classes from A+++ (green) to D (red), with a black arrow pointing to class C. Below the scale, the energy consumption is listed as "514 kWh/annum". At the bottom, three icons represent cycle time (130 min/cycle), load capacity (7.0 kg), and noise level (66 dB). The label includes multilingual text for energy and cycle terms and a reference number 392/2012 at the very bottom.

ENERG
енергия · енерџија

Y IJA
IE IA

TeKa TKS2 650

A+++
A++
A+
A
B
C
D

514
kWh/annum

ENERGIA · ЕНЕРГИЈА · ENERĢIJA
ENERGIJA · ENERGY · ENERGIE
ENERGI

130
min/cycle*

7,0
kg

66
dB

*urena · cyklus · portion · räkita · pöörussaa · ciclo · tülkiel · objelma · ciklus
ciklus · ciklus · ciklu · cyclus · cykli · ciclu · program · tortkomäng

392/2012