



TKS1 600 7kg Free Standing Dryer with automatic ventilation program



7
Kg

Washing
capacity: 7Kg

DESCRIPTION

7kg Free Standing Dryer with automatic ventilation program

LIFE STYLE

Easy

COLOURS



REFERENCE

REF. 40851210
EAN. 8421152088104



TEKA

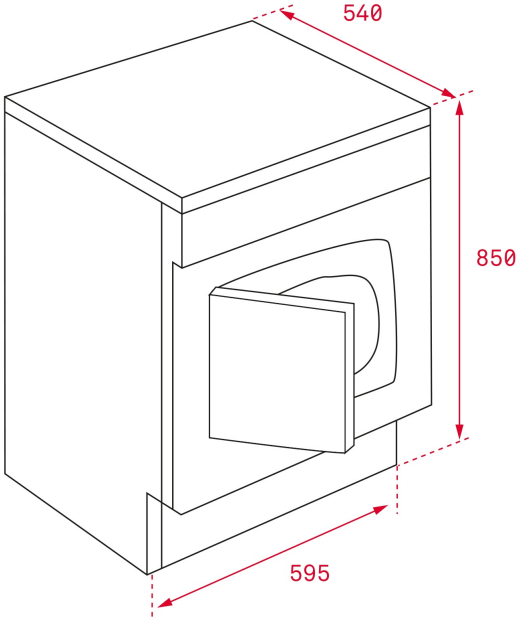
TKS1 600

FEATURES

Free standing dryer
Vented dryer
8 programs
Drying capacity: 7 Kg
Electronic control panel
Easy ironing / Anti-crease program
Delicate clothing program clothing program
Bi- direction rotation
Removable filter with light indicator
Automatic ventilation program
Energy class: C



TKS1 600



DIMENSIONS

- Product height (mm):** 850
- Product width (mm):** 595
- Product depth (mm):** 540
- Product length (mm):**
- Net weight (Kg):** 30

TECH SPECS

PRODUCT SHEET

Type of installation: Free standing
Drying capacity (Kgs): 7
Certificates: CE, VDE

POWER SUPPLY

Frequency (Hz): 50
Power rate (V): 230
Maximum Nominal Power (W): 2200
Nominal power motor (W): 230
Power of heating element (W): 2000

PARTICULAR CHARACTERISITICS

Number of programs: 8
Control panel: PL 2-H LED
Bidirectional rotation: Yes
Reversible door: Yes

CONTROL INDICATOR LIGHTS

Dryer timer: Yes

SPECIAL FUNCTIONS

EQUIPMENT

PRODUCT INFORMATION SHEET (UE) 2019/2014

TECHNICAL DOCUMENTATION (UE) 2019/2014

Easy ironing/anti crease: Yes

Adjustable feet front: Yes

General product parameters

Dimensions (cm)

Consumption and efficiency

Maximum temperature inside the treated textile (a) (°C)

Remaining moisture content (a) (%)

Spin speed (a) (rpm)

Eco 40-60 programme duration (a) (h:min)

Other

Additional information:

Weblink to the supplier's website, where the information in point 9 of Annex II to Commission Regulation (EU) 2019/2023 (1) (b) is found:

(a) for the eco 40-60 programme.

(b) changes to these items shall not be considered relevant for the purposes of paragraph 4 of Article 4 of Regulation (EU) 2017/1369.

(c) if the product database automatically generates the definitive content of this cell the supplier shall not enter these data.

Additional information:

(c) where appropriate, the references of the harmonised standards applied;

(d) where appropriate, the other technical standards and specifications used;

(e) the details and the results of calculations performed in accordance with Annex IV;

(f) a list of all equivalent models including the model identifier.



TKS1 600

ENERGY LABEL

The energy label for the TEKA TKS1 600 washing machine is a vertical rectangular sticker. At the top left is the European Union flag. To its right is the word "ENERG" in large blue letters, with "енергия · ενεργεια" in smaller text below it. Further right are two circular icons: one with "Y IJA" and another with "IE IA". Below this header is the TEKA logo and the model number "TKS1 600". The main part of the label features a color-coded energy efficiency scale from A+++ (green) to D (red). A black arrow points to the "C" rating. Below the scale, the energy consumption is listed as "514 kWh/annum". At the bottom, three icons represent cycle time (130 min/cycle*), load capacity (7,0 kg), and noise level (66 dB). A small footnote at the very bottom explains the asterisk in the cycle time and provides the standard number 392/2012.

ENERG
енергия · ενεργεια

Y IJA
IE IA

TeKa TKS1 600

A+++
A++
A+
A
B
C
D

514
kWh/annum

ENERGIA · ЕНЕРГИЯ · ΕΝΕΡΓΕΙΑ
ENERGUA · ENERGY · ENERGIE
ENERGI

130
min/cycle*

7,0
kg

66
dB

*umna · cyklus · partten · zklus · nlypnyuan · ciclo · tsükkel · ohjelma · ciklus
ciklas · cikls · ciclo · cyclus · cykl · ciclu · program · torkongång

392/2012