



TKS1 810 H 8kg A++ Free Standing Dryer with 3 drying temperatures



Hand Wash

DESCRIPTION

8kg A++ Free Standing Dryer with 3 drying temperatures

LIFE STYLE

Total

COLOURS



REFERENCE

REF. 40854210
EAN. 8421152155981



TEKA

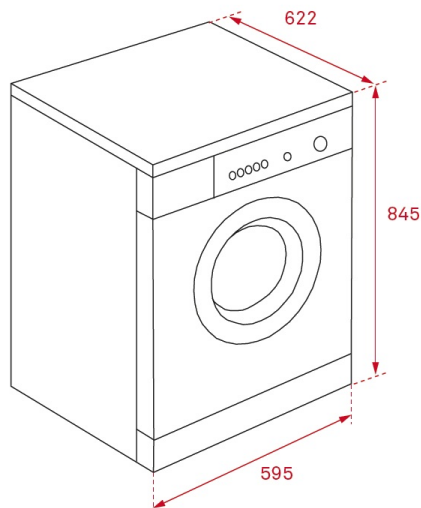
TKS1 810 H

FEATURES

Free standing dryer
Heat pump condenser dryer
16 programs
Drying capacity: 8 Kg
Electronic control panel with display
Delay timer 1-24h
4 Power levels
End of cycle alarm
Humidity sensor
Anti-crease program
Delicate clothing program clothing program
Cooling program
Bi- direction rotation
Remaining time indicator
Removable filter with saturation level indicator
Energy class: A++

DIMENSIONS

Product height (mm): 845
Product width (mm): 595
Product depth (mm): 622
Product length (mm):
Net weight (Kg): 51



TECH SPECS

PRODUCT SHEET

Type of installation: Free standing
Drying capacity (Kgs): 800,0%
Energy consumption per drying cycle (Full load) (kWh): 1.98
Energy consumption (kWh/year): 236
Automatic (sensor drying): Yes
Certificates: CE, VDE

POWER SUPPLY

Frequency (Hz): 50
Power rate (V): 220-240
Maximum Nominal Power (W): 650
Nominal power motor (W): 120

PARTICULAR CHARACTERISITICS

Glass door diameter (cms): 37,5
Number of programs: 12
Control panel: Electronic
Electronic washing management: Yes
Bidirectional rotation: Yes
Drum light: Yes
Drum: Galvanized

CONTROL INDICATOR LIGHTS

Selected program indicator: Yes
Remaining time: Yes
Drying: Yes

SPECIAL FUNCTIONS

EQUIPMENT

PRODUCT INFORMATION SHEET (UE) 2019/2014

TECHNICAL DOCUMENTATION (UE) 2019/2014

Dryer timer: Yes

Economic program: Yes

Delayed Timer (h): 1-24

Delicate fabrics: Yes

Easy ironing/anti crease: Yes

Adjustable Feet Back: Yes

Adjustable feet front: Yes

General product parameters

Dimensions (cm)

Consumption and efficiency

Maximum temperature inside the treated textile (a) (°C)

Remaining moisture content (a) (%)

Spin speed (a) (rpm)

Eco 40-60 programme duration (a) (h:min)

Other

Additional information:

Weblink to the supplier's website, where the information in point 9 of Annex II to Commission Regulation (EU) 2019/2023 (1) (b) is found:

(a) for the eco 40-60 programme.

(b) changes to these items shall not be considered relevant for the purposes of paragraph 4 of Article 4 of Regulation (EU) 2017/1369.

(c) if the product database automatically generates the definitive content of this cell the supplier shall not enter these data.

Additional information:

(c) where appropriate, the references of the harmonised standards applied;

(d) where appropriate, the other technical standards and specifications used;

(e) the details and the results of calculations performed in accordance with Annex IV;

(f) a list of all equivalent models including the model identifier.



TKS1 810 H

ENERGY LABEL

The energy label for the TEKA TKS1 810 H washing machine is a vertical rectangular sticker with a blue border. At the top left is the European Union flag. To its right, the word "ENERG" is written in large blue letters, with "енергия · ενεργεια" below it. Further right are two circular icons: one with "Y" and "JA" and another with "IE" and "IA". Below this, the TEKA logo is on the left and the model number "TKS1 810 H" is on the right. The main part of the label features a vertical scale of energy efficiency classes from A+++ (green) at the top to D (red) at the bottom. A black arrow points to the A++ class. Below the scale, the energy consumption is listed as "236 kWh/annum" in a white box with a blue border. Underneath, there are three icons: a washing machine with a plug, a clock, and a t-shirt. Below these icons are the values "195 min/cycle*", "8,0 kg", and "69 dB" respectively. At the bottom left is a water consumption icon with the class "ABCDEF" and a small number "392/2012". At the bottom right is a small text block in multiple languages explaining the water consumption class.

ENERG
енергия · ενεργεια

Y JA
IE IA

TeKa TKS1 810 H

A+++
A++
A+
A
B
C
D

A++

236 kWh/annum

ENERGIA · ЕНЕРГИЯ · ENERGIJA
ENERGIJA · ENERGY · ENERGIE
ENERGI

195 min/cycle*

8,0 kg

69 dB

ABCDEF

392/2012

*чирво - циклу - portion - ciklus
програма - ciclo - tsükkel
ohjelmä - ciklus - ciklus - ciklu
ciklu - ciklus - cykl - ciclo
program - torkomgång