



TKS 893 H 8kg Free Standing Dryer with 4 power levels



Hand Wash



Washing
capacity: 8Kg

DESCRIPTION

8kg Free Standing Dryer with 4 power levels

LIFE STYLE

Maestro

COLOURS



REFERENCE

REF. 40854003
EAN. 8421152160855

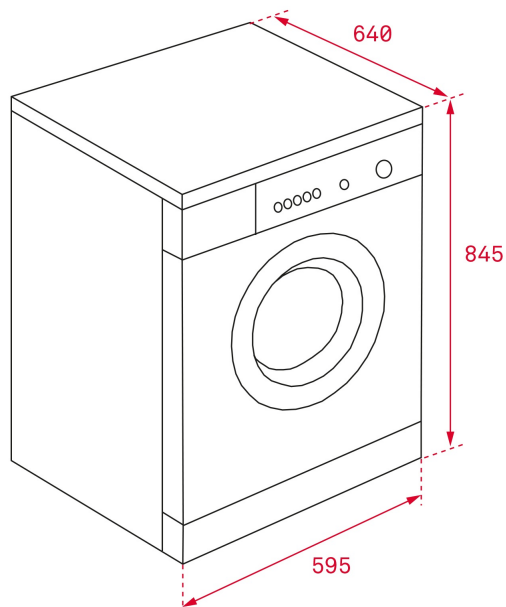


TEKA

TKS 893 H

FEATURES

Free standing Dryer
Heat pump condenser dryer
Drying capacity: 8 kg
16 programs
Electronic control with digital display
Delay timer 1-24h
4 Power levels
End of cycle alarm
Humidity sensor
Anti-crease program
Delicate clothing program
Cooling program
Bi-direction rotation
Removable filter with saturation
Stainless steel drum
Energy class A+++

TEKA**TKS 893 H**

DIMENSIONS

Product height (mm): 845
Product width (mm): 595
Product depth (mm): 640
Product length (mm):
Net weight (Kg): 50

TECH SPECS

PRODUCT SHEET

Type of installation: Free standing
Drying capacity (Kgs): 8
Condensation efficiency: B
Energy consumption per drying cycle (Full load) (kWh): 1.5
Energy consumption (kWh/year): 176
Duration of drying cycle (Full load) (minutes): 144
Automatic (sensor drying): Yes
Certificates: CE, CB

POWER SUPPLY

Frequency (Hz): 50
Power rate (V): 220-240
Maximum Nominal Power (W): 650
Nominal power motor (W): 120

PARTICULAR CHARACTERISTICS

Glass door diameter (cms): 48
Number of programs: 16
Control panel: ELECTRONIC
Bidirectional rotation: Yes
Drum light: Yes

CONTROL INDICATOR LIGHTS

SPECIAL FUNCTIONS

EQUIPMENT

PRODUCT INFORMATION SHEET (UE) 2019/2014

TECHNICAL DOCUMENTATION (UE) 2019/2014

Drum: Zincification steel

Remaining time: Yes

Drying: Yes

Dryer timer: Yes

Economic program: Yes

Delayed Timer (h): 1-24

Adjustable Feet Back: Yes

Adjustable feet front: Yes

General product parameters

Dimensions (cm)

Consumption and efficiency

Maximum temperature inside the treated textile (a) (°C)

Remaining moisture content (a) (%)

Spin speed (a) (rpm)

Eco 40-60 programme duration (a) (h:min)

Other

Additional information:

Weblink to the supplier's website, where the information in point 9 of Annex II to Commission Regulation (EU) 2019/2023 (1) (b) is found:

(a) for the eco 40-60 programme.

(b) changes to these items shall not be considered relevant for the purposes of paragraph 4 of Article 4 of Regulation (EU) 2017/1369.

(c) if the product database automatically generates the definitive content of this cell the supplier shall not enter these data.

Additional information:

(c) where appropriate, the references of the harmonised standards applied;

(d) where appropriate, the other technical standards and specifications used;

(e) the details and the results of calculations performed in accordance with Annex IV;

(f) a list of all equivalent models including the model identifier.



TKS 893 H

ENERGY LABEL

The image shows a standard European energy label for a TEKA TKS 893 H washing machine. The label is rectangular with a blue border and contains the following information:

- Header:** The European Union flag, the word "ENERGY" in large letters, and its translations in Greek (ενέργεια), Czech (energie), and Estonian (energia).
- Brand and Model:** "TEKA" on the left and "TKS 893 H" on the right.
- Energy Efficiency Scale:** A vertical bar on the left shows efficiency classes from A+++ (dark green) at the top to D (red) at the bottom. A black arrow on the right points to the A+++ class.
- Annual Energy Consumption:** A box on the right contains the value "176 kWh/annum".
- Performance Indicators:** Three boxes at the bottom show: a washing machine icon with "190 min/cycle*", a t-shirt icon with "8,0 kg", and a speaker icon with "65 dB".
- Water Efficiency:** A box at the bottom left shows a water tap icon with "ABCDEFG".
- Footnote:** A small text block at the bottom right explains the asterisk: "*urokki - sykklus - gortson - sykklus; pohytopuue - ciclo - tsükkel; ohjelma - ciklus - ciklus - ciklis; ciklis - ciklus - cykl - ciclo; program - tarkomäng".
- Reference Number:** "392/2012" is printed at the very bottom left.