



HBC 625 P Pyrolytic Multifunction Compact Oven in 45 cm with 8 cooking modes



44L



DualClean



HydroClean



Pyrolysis

DESCRIPTION

Pyrolytic Multifunction Compact Oven in 45 cm with 8 cooking modes

LIFE STYLE

Easy

COLOURS



REFERENCE

REF. 41534010
EAN. 8421152148679

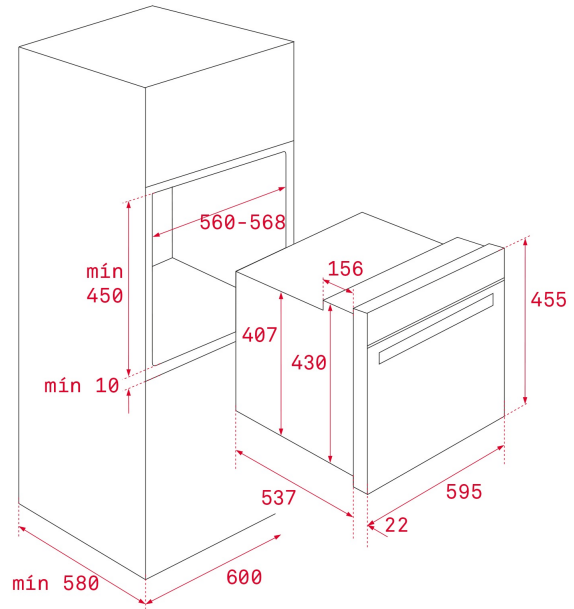


TEKA

HBC 625 P

FEATURES

Multifunction oven
8 cooking functions
Pyrolysis self-cleaning system and automatic HydroClean system
Touch control display with knobs
Electronic timer (Delay/Start function)
Chrome supports with 3 cooking levels
Removable triple glazed door
Automatic disconnection security system
Children safety lock
Safety door lock
Manual quick preheating
Anti-tip deep tray
Capacity (gross/net): 45 / 44 litres



DIMENSIONS

Product height (mm): 455

Product width (mm): 595

Product depth (mm): 537+22

Product length (mm):

Net weight (Kg): 27

TECH SPECS

PARTICULAR CHARACTERISTICS

Certificates: N / CE / CCA / CB

Number of cavities: 1

Type of inner light: Halogen

Inside light position: RIGHT TOP CORNER

Enamelled cavity: Yes

Function selector: 11+0

Number of cooking functions: 8

Top + Bottom function: Yes

Top function: Yes

Grill function: Yes

MaxiGrill function: Yes

Top + Bottom + Fan function: Yes

MaxiGrill + Fan function: Yes

Bottom function: Yes

ECO function: Yes

Mechanical quick heating: Yes

Touch Control Programmer: Yes

Knobs type: MMX FIX KNOB knurling

Removable chromed tray guides: Yes

Number of guide levels: 3

Number of guide levels (lower cavity): 0

ELECTRIC CONNECTION

Maximum Nominal Power (W): 2515
Frequency (Hz): 50/60
Power rate (V): 220-240
Cable Connection Length (cm): 110
Inside light Consumption (W): 25

ENERGY CONSUMPTION

Energy consumption per cycle in conventional mode (kWh):
0.77
Energy consumption per cycle in fan-forced convection mode (kWh): 0,59
Bottom Heating Element (W): 1050
Grill (W): 1400
Grill (Lower Cavity) (W): 0
Maxi Grill (W): 2450
Traditional (W): 1050
Multifunction Turbo (W): 25
Cooling Fan Motor (W): 30

SECURITY SYSTEM

Automatic disconnection when opening the door: Yes
Panel blocking system: Yes
Children safety block option: Yes
Grill protection: Yes
Anti-tip tray system: Yes
Safety Thermostat: Yes

CLEANING SYSTEM

Fingerprint proof stainless steel: Yes
Crystal Clean Enamel (Slippery): Yes
Hydroclean PRO: Yes
Pyrolytic: Yes
DualClean: Yes

ACCESSORIES

Deep Tray (50 mm): 1
Standard grid: 1

ENERGY EFFICIENCY

Energy Efficiency Class: A+
Energy Efficiency Index (EEI): 80,8

PRODUCT INFORMATION SHEET - DELEGATED REGULATION (EU) 65/2014

Supplier name or trademark: TEKA
Model identifier: HBC 625 P SS
Number of cavities: 1

Cavity 1

Energy Efficiency Index: 80,8
Energy Efficiency Class: A+
Energy consumption per cycle (conventional mode): 0.77
Energy consumption per cycle (fan-forced convection mode):
0,59
Volume: 44



HBC 625 P

ENERGY LABEL

