



RFD 77820 GBK EU French Door LongLife No Frost Refrigerator 190cm with 4 doors and inverter motor



Motor Inverter



On Holidays function



Gourmet Box



IonClean Technology



LED



LongLife No Frost



Vitacare Box

DESCRIPTION

French Door LongLife No Frost Refrigerator 190cm with 4 doors and inverter motor

LIFE STYLE

Maestro

COLOURS



REFERENCE

REF. 113430004
EAN. 8434778001471



TEKA

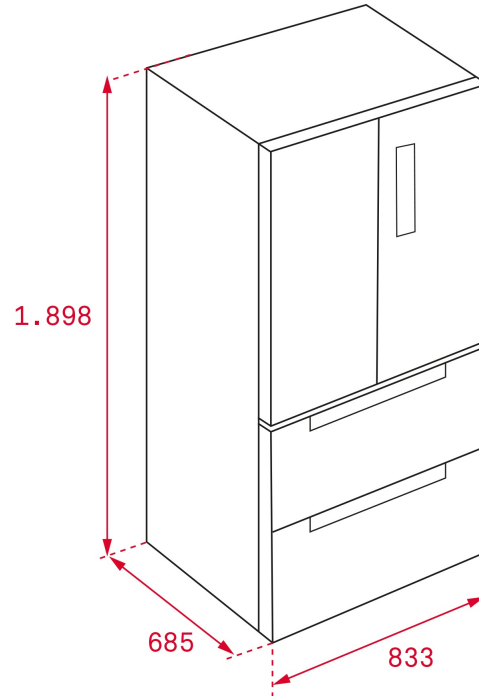
RFD 77820 GBK EU

FEATURES

Urban Colors Edition
Free Standing french door refrigerator
LongLife No Frost with 3 independent circuits
IonClean technology
Inverter motor
Outer control display
Electronic adjustable thermostat
Gourmet box + 2 VitaCare Box drawers
Safety glass shelves
On holidays function
Fast freezing and fast cooling function
Front adjustable feet
LED Illumination
Climate class: SN/N/ST/T
Total capacity (gross/net): 582 / 500 litres
Bottle rack and ice cube tray included

DIMENSIONS

Product height (mm): 1898
Product width (mm): 833
Product depth (mm): 685
Product length (mm):
Net weight (Kg): 136



TECH SPECS

FITTING MEASURES

Built-in height (mm): 1898

PRODUCT SHEET

Cooling system: LongLife No Frost
No Frost In Refrigerator Compartment: Yes
No Frost in chiller: Yes
No Frost in freezer compartment: Yes
Total gross capacity (litres): 582
Refrigerator compartment capacity (litres): 304
Chilling Compartment Capacity (litres): 31
Freezer compartment capacity (litres): 165
Freezer classification: 4
Freezing capacity: 13,0
Annual Consumption (kWh/year): 314
Temperature Rise Time (h): 15
Climate class: N/T
Noise level (dB): 41
Certificates: CB/DE

POWER SUPPLY

Frequency (Hz): 50

PARTICULAR CHARACTERISTICS

Power rate (V): 230
Power rate (W): 250
Defrost element power (W): 250
Energy consumption (kw/day): 0,915
Cable Connection Length (cm): 1750

Type of installation: Free standing
Automatic defrosting in the refrigeration compartment: Yes
Automatic defrosting in the freezer compartment: Yes
Electronic adjustable thermostat: Yes
Display on door: Yes
Fingerprint proof door: Yes
Antibacterial treatment: IonClean
Freezing set button: Yes
Cooling set button: Yes
Lock function: Yes
Fast freezing: Yes
Fast Cooling Function: Yes
On Holidays Function: Yes
Inner light: Yes
Type of inner light: LED
Integrated handle: Yes

CONTROL INDICATOR LIGHTS

Operating light fridge: Yes
Operating light freezer: Yes
Freezer compartment temperature display: Yes
Fast freezing indicator: Yes
Acoustic alarm: Yes
Visual alarm: Yes

EQUIPMENT

Antibacterial gasket: Yes
Multipurpose compartment: NO
Ice cubes tray: 1
Bottle rack type: CHROMED
Dairy covered compartment: Yes
Adjustable Feet Back: Yes
Adjustable feet front: Yes
Refrigerator adjustable shelves: Yes
Vegetable drawers: 2
Temperature and humidity regulation in drawers: VitaCare Box

PRODUCT INFORMATION SHEET (UE) 2019/2016

Supplier name or trademark: TEKA
Supplier's address: C/Cajo, 17, 39011, Santander , Spain
Model identifier: RFD 77820 GBK EU

Type of refrigerating appliance

Low-noise appliance: 0
Design type: Free standing
Wine storage appliance: 0
Other refrigerating appliance: 1

Overall dimensions (mm)

Height: 1898
Width: 833
Depth: 685
Total volume (dm³ or l): 535
Energy efficiency class: E
Airborne acoustical noise emission class: C
Annual energy consumption (kWh/a): 314
Climate class: N/T

Minimum ambient temperature (°C), for which the refrigerating appliance is suitable: 10

Maximum ambient temperature (°C), for which the refrigerating appliance is suitable: 43

Winter setting YES/NO: 0

Compartment 1: Fresh food

Compartment 1 - Compartment Volume (l): 348

Compartment 1 - Recommended temperature setting for optimised food storage (°C): 4

Compartment 1 - Freezing capacity (kg/24h): NA

Compartment 1 - Defrosting type: A

Compartment 1 - Target temperature (°C): NA

Compartment 1 - Thermodynamic parameter (rc): NA

Compartment 1 - Nc: NA

Compartment 1 - Mc: NA

Compartment 1 - Defrost factor (Ac): NA

Compartment 1 - Built-in factor (Bc): NA

Compartment 2: 4 STAR

Compartment 2 - Compartment Volume (l): 187

Compartment 2 - Recommended temperature setting for optimised food storage (°C): -18

Compartment 2 - Freezing capacity (kg/24h): 12

Compartment 2 - Defrosting type: A

Compartment 2 - Target temperature (°C): NA

Compartment 2 - Thermodynamic parameter (rc): NA

Compartment 2 - Nc: NA

Compartment 2 - Mc: NA

Compartment 2 - Defrost factor (Ac): NA

Compartment 2 - Built-in factor (Bc): NA

Compartment 3: NA

Compartment 3 - Compartment Volume (l): NA

Compartment 3 - Recommended temperature setting for optimised food storage (°C): NA

Compartment 3 - Freezing capacity (kg/24h): NA

Compartment 3 - Defrosting type: NA

Compartment 3 - Target temperature (°C): NA

Compartment 3 - Thermodynamic parameter (rc): NA

Compartment 3 - Nc: NA

Compartment 3 - Mc: NA

Compartment 3 - Defrost factor (Ac): NA

Compartment 3 - Built-in factor (Bc): NA

Compartment 4: NA

Compartment 4 - Compartment Volume (l): NA

Compartment 4 - Recommended temperature setting for optimised food storage (°C): NA

Compartment 4 - Freezing capacity (kg/24h): NA

Compartment 4 - Defrosting type: NA

Compartment 4 - Target temperature (°C): NA

Compartment 4 - Thermodynamic parameter (rc): NA

Compartment 4 - Nc: NA

Compartment 4 - Mc: NA

Compartment 4 - Defrost factor (Ac): NA

Compartment 4 - Built-in factor (Bc): NA

Compartment 5 - Type: NA

Compartment 5 - Compartment Volume (l): NA

Compartment 5 - Recommended temperature setting for optimised food storage (°C): NA

Compartment 5 - Freezing capacity (kg/24h): NA

Compartment 5 - Defrosting type: NA

Compartment 5 - Target temperature (°C): NA

Compartment 5 - Thermodynamic parameter (rc): NA

Compartment 5 - Nc: NA

Compartment 5 - Mc: NA

Compartment 5 - Defrost factor (Ac): NA

Compartment 5 - Built-in factor (Bc): NA

Light source parameters

Light source - Type of light source: LED
Light source - Energy efficiency class: NA
Minimum duration of the guarantee offered by the manufacturer (b): 24

Light source parameters

Light source - Type of light source: LED
Light source - Energy efficiency class: NA
Minimum duration of the guarantee offered by the manufacturer (Years) (b): 24

Additional information:

Weblink to the manufacturer's website, where the information in point 4(a) Annex of Commission Regulation (EU) 2019/2019 (1) (b) is found: www.teka.com

(a) as determined in accordance with Commission Delegated Regulation (EU) 2019/2015 (2).

(b) changes to these items shall not be considered relevant for the purposes of point 4 of Article 4 of Regulation (EU) 2017/1369.

(c) if the product database automatically generates the definitive content of this cell the supplier shall not enter these data.

(1) Commission Regulation (EU) 2019/2019 of 1 October 2019 laying down ecodesign requirements for refrigerating appliances pursuant to Directive 2009/125/EC of the European Parliament and of the Council and repealing Commission Regulation (EC) No 643/2009 (see page 187 of this Official Journal).(2)

(2) Commission Delegated Regulation (EU) 2019/2015 of 11 March 2019 supplementing Regulation (EU) 2017/1369 of the European Parliament and of the Council with regard to energy labelling of light sources and repealing Commission Delegated Regulation (EU) No 874/2012 (see page 68 of this Official Journal).



RFD 77820 GBK EU

ENERGY LABEL

