



HLB 8400 A+ Multifunction Surround Temp. Oven with HydroClean® PRO cleaning system



70L



Plus Extension
Telescopic
Guide



HydroClean



SurroundTemp

DESCRIPTION

A+ Multifunction Surround Temp. Oven with HydroClean® PRO cleaning system

LIFE STYLE

Maestro

COLOURS



REFERENCE

REF. 11100006
EAN. 8434778007589

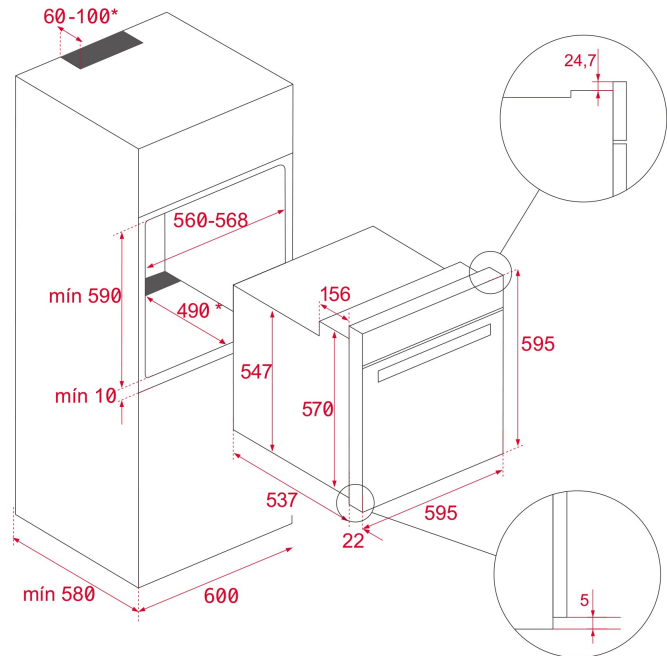


TEKA

HLB 8400

FEATURES

Urban Colors Edition
Multifunction SurroundTemp oven
9 cooking functions
Automatic HydroClean system
Touch control display with knobs
Electronic timer (Delay/Start function)
Chrome supports with 5 cooking levels
Plus Extension Telescopic guides
Removable double glazed door
Children safety lock
Manual quick preheating
Anti-tip deep tray
Capacity (gross/net): 71 / 70 litres



DIMENSIONS

Product height (mm): 595

Product width (mm): 595

Product depth (mm): 537+22

Product length (mm):

Net weight (Kg): 28

TECH SPECS

PARTICULAR CHARACTERISTICS

Certificates: N / CE / CCA / CB/

Number of cavities: 1

Type of inner light: HALOG.

Inside light position: RIGHT TOP CORNER

Enamelled cavity: Yes

Function selector: 11+0

Number of cooking functions: 9

Top + Bottom function: Yes

Grill function: Yes

MaxiGrill function: Yes

MaxiGrill + Fan function: Yes

Bottom function: Yes

Bottom + TURBO (Pizza) function: Yes

Turbo function: Yes

ECO function: Yes

Mechanical quick heating: Yes

Touch Control Programmer: Yes

Knobs type: MMX FIX knurling

Removable chromed tray guides: Yes

Number of guide levels: 5

Easy slide telescopic guides: Yes

Drop-down grill: Yes

ELECTRIC CONNECTION

Maximum Nominal Power (W): 3215
Frequency (Hz): 50/60
Power rate (V): 220/240
Cable Connection Length (cm): 110
Inside light Consumption (W): 25

ENERGY CONSUMPTION

Energy consumption per cycle in conventional mode (kWh):
0.81
Energy consumption per cycle in fan-forced convection mode (kWh): 0,68
Bottom Heating Element (W): 1150
Grill (W): 1400
Maxi Grill (W): 2500
Traditional (W): 2550
Turbo (W): 2000
Multifunction Turbo (W): 22
Cooling Fan Motor (W): 18

SECURITY SYSTEM

Panel blocking system: Yes
Grill protection: Yes
Anti-tip tray system: Yes
Safety Thermostat: Yes

CLEANING SYSTEM

Crystal Clean Enamel (Slippery): Yes
Hydroclean PRO: Yes

ACCESSORIES

Deep Tray (50 mm): 1
Standard grid: 1
Deep Tray (lower cavity) (50 mm): 1

ENERGY EFFICIENCY

Energy Efficiency Class: A+
Energy Efficiency Index (EEI): 81

PRODUCT INFORMATION SHEET - DELEGATED REGULATION (EU) 65/2014

Supplier name or trademark: TEKA
Model identifier: HLB 8400 ST
Number of cavities: 1

Cavity 1

Energy Efficiency Index: 81
Energy Efficiency Class: A+
Energy consumption per cycle (conventional mode): 0.81
Energy consumption per cycle (fan-forced convection mode):
0,68
Volume: 70



HLB 8400

ENERGY LABEL

The energy label for the TEKA HLB 8400 is a vertical rectangular sticker. At the top left is the European Union flag. To its right is the word "ENERG" in large letters, with "енергия" (Russian) and "ενεργεια" (Greek) below it. Further right are four small circles containing the letters "Y", "UA", "IE", and "IA". Below the flag is the TEKA logo. To the right of the logo is the model number "HLB 8400". Below this is a small icon of a laptop with a power cord. The main part of the label is a vertical scale of energy efficiency classes, represented by colored arrows pointing to the right: A+++ (dark green), A++ (medium green), A+ (light green), A (yellow), B (orange), C (red-orange), and D (red). A black arrow points to the A+ class. Below the scale are two boxes. The first box contains an icon of a laptop and the text "70 L". The second box contains an icon of a washing machine and the text "0.81 kWh/cycle*". Below the second box is another icon of a washing machine and the text "0.68 kWh/cycle*". At the bottom of the label is a line of small text in multiple languages: "* unesat - cyclus - portion - zykus - nrolypouara - ciclo - tsükkel - ohjelma - ciklus - ciklas - cikls - ciklu - cyclus - cykl - ciklu - program - cykel". At the very bottom is the date "65/2014".