



**RLF 74910 EU WH** Full No Frost Side By Side Refrigerator 179cm with 2 doors and Eco function



Motor Inverter



On Holidays function



Fresh Box



LED



LongLife No Frost

**DESCRIPTION**

Full No Frost Side By Side Refrigerator 179cm with 2 doors and Eco function

**LIFE STYLE**

Maestro

**COLOURS**



**REFERENCE**

REF. 113430013  
EAN. 8434778003925

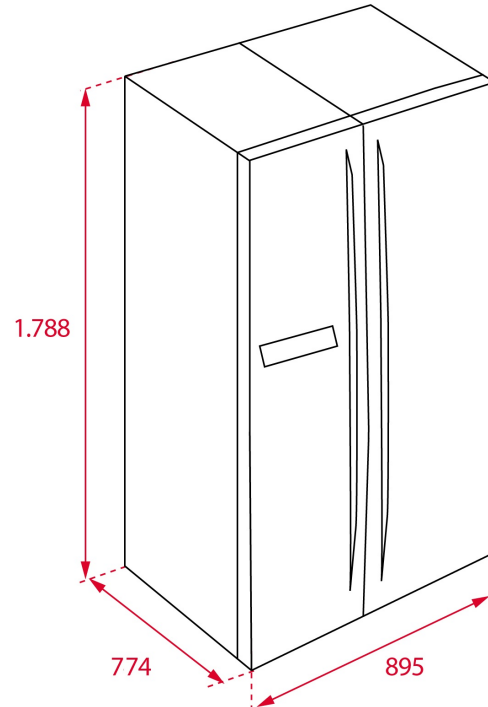


**TEKA**

**RLF 74910 EU WH**

**FEATURES**

Free Standing side by side refrigerator  
Full No Frost  
Outer control display  
Electronic adjustable thermostat  
2 FreshBox drawers  
Safety glass shelves  
On holidays function  
Fast freezing and fast cooling function  
Front adjustable feet  
LED illumination  
Climate class: SN/N/ST  
Total capacity (gross/net): 587 / 510 litres  
2 Ice cube tray and twister ice maker included



## DIMENSIONS

**Product height (mm):** 1788  
**Product width (mm):** 895  
**Product depth (mm):** 774  
**Product length (mm):**  
**Net weight (Kg):** 90

## TECH SPECS

### FITTING MEASURES

**Built-in height (mm):** 1765

### PRODUCT SHEET

**Cooling system:** LongLife No Frost  
**No Frost In Refrigerator Compartment:** Yes  
**No Frost in freezer compartment:** Yes  
**Total gross capacity (litres):** 587  
**Refrigerator compartment capacity (litres):** 335  
**Freezer compartment capacity (litres):** 175  
**Freezer classification:** 4  
**Freezing capacity:** 9,0  
**Annual Consumption (kWh/year):** 401  
**Temperature Rise Time (h):** 10  
**Climate class:** SN/N/ST  
**Noise level (dB):** 41  
**Certificates:** CE, TUV, GS

### POWER SUPPLY

**Frequency (Hz):** 50  
**Power rate (V):** 220-240  
**Power rate (W):** 130

## PARTICULAR CHARACTERISTICS

**Defrost element power (W):** 240  
**Energy consumption (kw/day):** 1,11  
**Plug type:** EU  
**Cable Connection Length (cm):** 1750

**Type of installation:** Free standing  
**Automatic defrosting in the refrigeration compartment:** Yes  
**Automatic defrosting in the freezer compartment:** Yes  
**Electronic adjustable thermostat:** Yes  
**Display on door:** Yes  
**Fingerprint proof door:** Yes  
**Antibacterial treatment:** NO  
**Freezing set button:** Yes  
**Cooling set button:** Yes  
**Lock function:** Yes  
**Fast freezing:** Yes  
**Fast Cooling Function:** Yes  
**On Holidays Function:** Yes  
**Inner light:** Yes  
**Type of inner light:** LED  
**External handle:** Yes

## CONTROL INDICATOR LIGHTS

**Operating light fridge:** Yes  
**Operating light freezer:** Yes  
**Freezer compartment temperature display:** Yes  
**Fast freezing indicator:** Yes  
**Acoustic alarm:** Yes

## EQUIPMENT

**Multipurpose compartment:** NO  
**Twister ice maker:** Yes  
**Ice cubes tray:** 2  
**Bottle rack type:** NO  
**Adjustable Feet Back:** Yes  
**Adjustable feet front:** Yes  
**Refrigerator adjustable shelves:** Yes  
**Vegetable drawers:** 2  
**Temperature and humidity regulation in drawers:** FRESH BOX

## PRODUCT INFORMATION SHEET (UE) 2019/2016

**Supplier name or trademark:** TEKA  
**Supplier's address:** C/Cajo, 17, 39011, Santander , Spain  
**Model identifier:** RLF 74910 EU WH

### Type of refrigerating appliance

**Low-noise appliance:** 0  
**Design type:** Free standing  
**Wine storage appliance:** 0  
**Other refrigerating appliance:** 1

### Overall dimensions (mm)

**Height:** 1765  
**Width:** 897  
**Depth:** 761  
**Total volume (dm<sup>3</sup> or l):** 532  
**Energy efficiency class:** F  
**Airborne acoustical noise emission class:** C  
**Annual energy consumption (kWh/a):** 401  
**Climate class:** SN/N/ST  
**Minimum ambient temperature (°C), for which the refrigerating appliance is suitable:** 10  
**Maximum ambient temperature (°C), for which the**

refrigerating appliance is suitable: 38  
Winter setting YES/NO: 0  
Compartment 1: FRESH FOOD  
Compartment 1 - Compartment Volume (l): 335  
Compartment 1 - Recommended temperature setting for optimised food storage (°C): 4  
Compartment 1 - Freezing capacity (kg/24h): NA  
Compartment 1 - Defrosting type: A  
Compartment 1 - Target temperature (°C): NA  
Compartment 1 - Thermodynamic parameter (rc): NA  
Compartment 1 - Nc: NA  
Compartment 1 - Mc: NA  
Compartment 1 - Defrost factor (Ac): NA  
Compartment 1 - Built-in factor (Bc): NA  
Compartment 2: 4 STARS  
Compartment 2 - Compartment Volume (l): 181  
Compartment 2 - Recommended temperature setting for optimised food storage (°C): -18  
Compartment 2 - Freezing capacity (kg/24h): 10  
Compartment 2 - Defrosting type: A  
Compartment 2 - Target temperature (°C): NA  
Compartment 2 - Thermodynamic parameter (rc): NA  
Compartment 2 - Nc: NA  
Compartment 2 - Mc: NA  
Compartment 2 - Defrost factor (Ac): NA  
Compartment 2 - Built-in factor (Bc): NA  
Compartment 3: 2 STAR  
Compartment 3 - Compartment Volume (l): 16  
Compartment 3 - Recommended temperature setting for optimised food storage (°C): -12  
Compartment 3 - Freezing capacity (kg/24h): NA  
Compartment 3 - Defrosting type: A  
Compartment 3 - Target temperature (°C): NA  
Compartment 3 - Thermodynamic parameter (rc): NA  
Compartment 3 - Nc: NA  
Compartment 3 - Mc: NA  
Compartment 3 - Defrost factor (Ac): NA  
Compartment 3 - Built-in factor (Bc): NA  
Compartment 4: NA  
Compartment 4 - Compartment Volume (l): NA  
Compartment 4 - Recommended temperature setting for optimised food storage (°C): NA  
Compartment 4 - Freezing capacity (kg/24h): NA  
Compartment 4 - Defrosting type: NA  
Compartment 4 - Target temperature (°C): NA  
Compartment 4 - Thermodynamic parameter (rc): NA  
Compartment 4 - Nc: NA  
Compartment 4 - Mc: NA  
Compartment 4 - Defrost factor (Ac): NA  
Compartment 4 - Built-in factor (Bc): NA  
Compartment 5 - Type: NA  
Compartment 5 - Compartment Volume (l): NA  
Compartment 5 - Recommended temperature setting for optimised food storage (°C): NA  
Compartment 5 - Freezing capacity (kg/24h): NA  
Compartment 5 - Defrosting type: NA  
Compartment 5 - Target temperature (°C): NA  
Compartment 5 - Thermodynamic parameter (rc): NA  
Compartment 5 - Nc: NA  
Compartment 5 - Mc: NA  
Compartment 5 - Defrost factor (Ac): NA  
Compartment 5 - Built-in factor (Bc): NA

Light source parameters

Light source - Type of light source: LED  
Light source - Energy efficiency class: G  
Minimum duration of the guarantee offered by the

**manufacturer (b):** 24

**Light source parameters**

**Light source - Type of light source:** LED

**Light source - Energy efficiency class:** G

**Minimum duration of the guarantee offered by the manufacturer (Years) (b):** 24

**Additional information:**

Weblink to the manufacturer's website, where the information in point 4(a) Annex of Commission Regulation (EU) 2019/2019 (1) (b) is found: [www.teka.com](http://www.teka.com)

(a) as determined in accordance with Commission Delegated Regulation (EU) 2019/2015 (2).

(b) changes to these items shall not be considered relevant for the purposes of point 4 of Article 4 of Regulation (EU) 2017/1369.

(c) if the product database automatically generates the definitive content of this cell the supplier shall not enter these data.

(1) Commission Regulation (EU) 2019/2019 of 1 October 2019 laying down ecodesign requirements for refrigerating appliances pursuant to Directive 2009/125/EC of the European Parliament and of the Council and repealing Commission Regulation (EC) No 643/2009 (see page 187 of this Official Journal).(2)

(2) Commission Delegated Regulation (EU) 2019/2015 of 11 March 2019 supplementing Regulation (EU) 2017/1369 of the European Parliament and of the Council with regard to energy labelling of light sources and repealing Commission Delegated Regulation (EU) No 874/2012 (see page 68 of this Official Journal).



RLF 74910 EU WH

ENERGY LABEL

