



DVT 78660 TBS WH 70cm Vertical Decorative Hood in full glass design and FreshAir function



LED



Perimeter extraction



Stop Delay Timer



Fresh AIR

DESCRIPTION

70cm Vertical Decorative Hood in full glass design and FreshAir function

LIFE STYLE

Maestro

COLOURS



REFERENCE

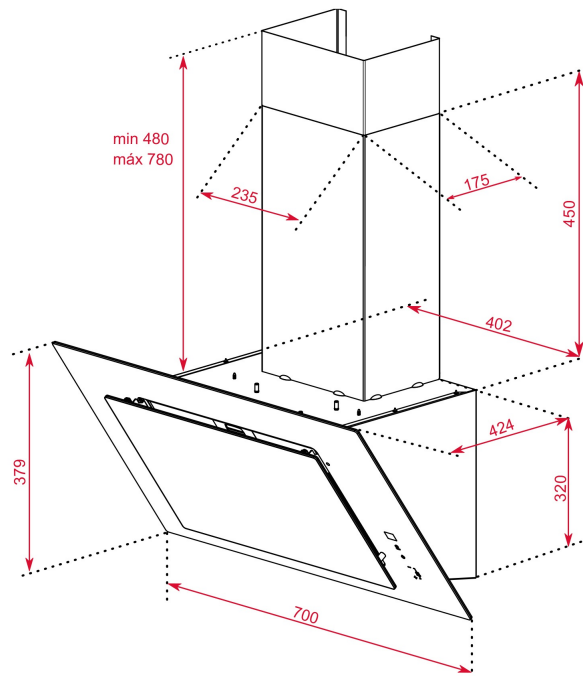
REF. 112930042
EAN. 8434778013245

FEATURES

Urban Colors Edition
Decorative vertical hood
Touch control with display
FreshAir function
3 speeds + 1 intensive
Intensive speed exhaust capacity (m³/h): 698
Max speed exhaust capacity (m³/h): 584
Min speed exhaust capacity (m³/h): 307
Intensive speed sound level (dBA): 74
Max speed sound level (dBA): 68
Min speed sound level (dBA): 52
2 LED lamps
2 Aluminum Filters
Stop delay timer
Filter saturation indicator
Anti-return valve included
Outlet reduction included
Optional recirculation kit with tube cover installation: CFH 15200 L2C
Optional regenerative recirculation kit with tube cover installation: RFH 15200 L2C
Optional recirculation kit without tube cover installation: RFH 15200 O2C
Optional Charcoal Filter: C1RTK
Optional Regenerative filter: R1RTK

DIMENSIONS

Product height (mm): 380
Product width (mm): 700
Product depth (mm): 412
Product length (mm):
Net weight (Kg): 15,3



TECH SPECS

PARTICULAR CHARACTERISTICS

Ø Outlet (mm): 150
Removable oil collector: Yes
Dual Aspiration System: Yes
Type of inner light: LED
Inside light Consumption (W): 4
Plug type: Schuko plug
Cable Connection Length (cm): 100
Power rate (V): 220-240
Frequency (Hz): 50/60
Total hood power (W): 286
Number of motors: 1
Motor power (W): 280

**EU REGULATION NO. 65/2014
 &66/2104**

Annual energy consumption AEC kWh/annum (kWh): 38,7
Energy Efficiency Class: A+
Fluid Dynamic Efficiency (FDEhood): 35,1
Fluid Dynamic Efficiency class: A
Light Efficiency (Lehood) lux/Watt: 69,8
Lighting Efficiency class: A
Grease Filtering Efficiency class: C

Air flow (Qmin) m³/h: 307
Air flow (Qmax): 584
Air flow (Qboost): 698
Noise (LwA) min. speed (dB): 61
Noise (LwA) max. speed (dB): 72
Noise (LwA) boost speed (dB): 74
Off mode Power (Po) W: 0
Standby Power (Ps) W: 0,74
Energy Efficiency Index (EEI): 41
Time increase factor: 0,7
Air pressure at best efficiency point(Pbep) Pa: 488
Electric power input at best efficiency point (Wbep) W: 140
Nominal power of the lighting system (WL) W: 4,2
Average illumination of the lighting system on the cooking surface (Emiddle) Lux: 419

ACCESSORIES

Anti Return valve: Yes
Outlet reduction: Yes
Optional Charcoal Filter: C1RTK
Regenerative charcoal filter: R1RTK
Conventional recirculation kit (opt) - w/tube cover: CFH 15200 L2C
Regenerative recirculation kit (opt) - w/tube cover: RFH 15200 L2C
Conventional recirculation kit (opt) - w/o tube cover: CFH 15200 O2C
Regenerative recirculation kit (opt) - w/o tube cover: RFH 15200 O2C

MODELS

Filter description: Aluminum Filters
Opening system: Piston
Control panel: Touch control
Stop delay timer: Yes
Filter saturation indicator: Yes
Number of speeds: 3 + 1
Fresh air function: Yes

PRODUCT INFORMATION SHEET - DELEGATED REGULATION (EU) 65/2014

Supplier name or trademark: TEKA
Model identifier: DVT 78660 TBS WH
Annual Energy Consumption: 38,7
Energy Efficiency Class: A+
Fluid Dynamic Efficiency: 35,1
Fluid Dynamic Efficiency class: A
Lighting Efficiency: 69,8
Lighting Efficiency class: A
Grease Filtering Efficiency class: C
Air flow (min speed normal use): 307
Air flow (max speed normal use): 584
Air flow (intensive or boost use): 698
Power consumption in off mode (W): 0
Power consumption in standby mode (W): 0,74



DVT 78660 TBS WH

ENERGY LABEL

