



# MWE 255 FI 25L Built-in Microwave + Grill



Defrost by time



Defrost by weight



Direct access menu

**DESCRIPTION**

25L Built-in Microwave + Grill

**LIFE STYLE**

Total

**COLOURS**



**REFERENCE**

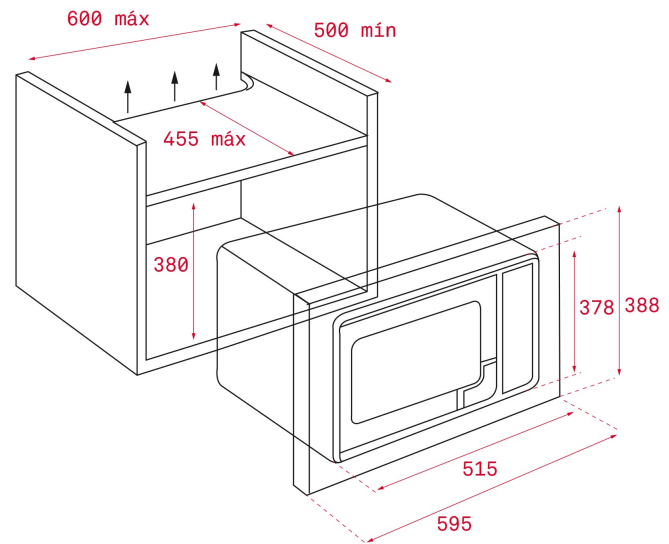
REF. 40581125  
EAN. 8421152127162



## MWE 255 FI

### FEATURES

Microwave + grill  
Stainless steel (fingerprint proof)  
Electronic controls  
Grill (Quartz), 1.000 W  
Five power levels, 900 W  
Total gross capacity: 25 litres  
Stainless steel cavity  
Inner and outside glass door  
Minute minder: 0 - 95 minutes  
Defrosting by weight and time  
Time and electronic functions selector  
8 direct access menus  
+30" function  
Children safety block



## DIMENSIONS

**Product height (mm):** 388  
**Product width (mm):** 595  
**Product depth (mm):** 413  
**Product length (mm):**  
**Net weight (Kg):** 17,7

## TECH SPECS

### PARTICULAR CHARACTERISITICS

**Certificates:** GS / EMC  
**Number of cooking functions:** 3  
**Grill function:** Yes  
**Minute Minder:** Yes  
**Number of guide levels (lower cavity):** 0  
**Microwave function:** Yes  
**Number of power levels:** 5  
**Seconds Quick Start:** Yes

### ELECTRIC CONNECTION

**Maximum Nominal Power (W):** 1450  
**Frequency (Hz):** 50  
**Power rate (V):** 230  
**Inside light Consumption (W):** 20

### ENERGY CONSUMPTION

**Grill (W):** 1000

### SECURITY SYSTEM

**Children safety block option:** Yes

**CLEANING SYSTEM**

**ACCESSORIES**

**Safety Thermostat:** Yes

**Fingerprint proof stainless steel:** Yes

**Glass Tray:** Yes

**Crunch plate:** NO

