



# ML 822 BIS Built-in Microwave with ceramic base + Grill



Ceramic base



Defrost by time



Defrost by weight



Direct access menu



Electronic door opening



22L capacity

## DESCRIPTION

Built-in Microwave with ceramic base + Grill

## LIFE STYLE

Maestro

## COLOURS

## REFERENCE

REF. 40584300  
EAN. 8421152145494

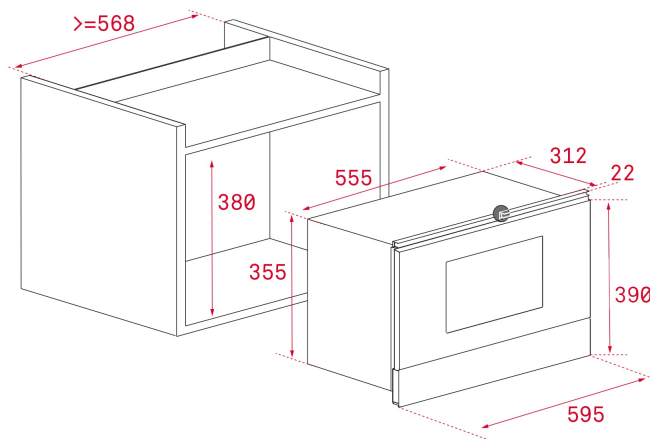


**TEKA**

**ML 822 BIS**

**FEATURES**

Ceramic base microwave + grill  
Electronic glass control panel with digital clock  
Dropdown grill, 1.200W  
5 power levels, 850 W out  
Stainless steel cavity  
Ceramic base with uniform heating  
Forced tangential ventilation  
Program selector and electronic functions  
Quick start 30''  
Defrost (5 programs)  
9 direct access menus  
Browning plate and reinforced grill grid



## DIMENSIONS

Product height (mm): 390

Product width (mm): 595

Product depth (mm): 334

Product length (mm):

Net weight (Kg): 22

## TECH SPECS

### PARTICULAR CHARACTERISTICS

Number of cavities: 1  
Number of cooking functions: 3  
Number of memories: -  
Grill function: Yes  
Minute Minder: Yes  
Drop-down grill: Yes  
Number of guide levels (lower cavity): 0  
Forced refrigeration tangential 1 speed: Yes  
Microwave function: Yes  
Number of power levels: 5  
Minute Quick Start: Yes  
Seconds Quick Start: Yes  
Tangential ventilation: Yes

### ELECTRIC CONNECTION

Maximum Nominal Power (W): 2500  
Frequency (Hz): 50  
Power rate (V): 220/240  
Cable Connection Length (cm): 110  
Plug: Yes  
Inside light Consumption (W): 20

## **ENERGY CONSUMPTION**

**Energy consumption per cycle in conventional mode (kWh):**  
0.362

**Grill (W):** 1200

**Maxi Grill (W):** 1200

## **SECURITY SYSTEM**

**Automatic disconnection when opening the door:** Yes

**Panel blocking system:** Yes

**Children safety block option:** Yes

**Grill protection:** Yes

**Safety Thermostat:** Yes

**Full glazed doors:** 2

## **ACCESSORIES**

**Crunch plate:** 1

## **ENERGY EFFICIENCY**

**Energy Efficiency Index (EEI):** A

