

TEKA**ML 822 BIS L WH-SS**

Built-in microwave with ceramic base, grill and left door opening



Ceramic base



Defrost By Time



Defrost By Weight



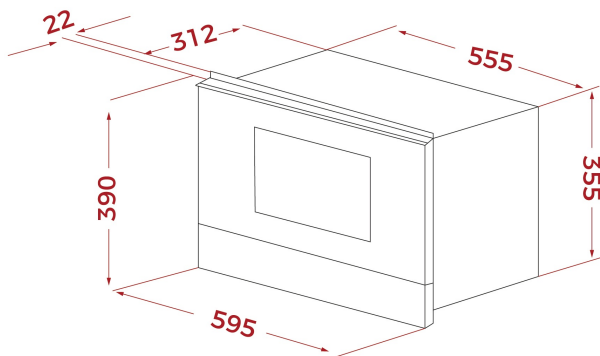
Direct Access Menu



Electronic Door Opening



22L

**REFERENCE**

REF: 40584302

EAN: 8421152145517

FEATURES

Built-in Microwave + Grill
 Ceramic base with uniform heating
 3 cooking functions
 9 direct access menus
 5 power levels, 2500 W
 Grill power: 1200 W
 Defrost by time and weight
 Touch control display with knobs
 Double glazed door with left opening
 Electronic door opening
 Children safety lock
 Automatic disconnection when open door
 Incandescent inner light
 Dropdown grill
 Quick start
 Capacity (gross/net): 22 / 21.56 litres
 Stainless steel cavity
 Tangential ventilation

DIMENSIONS**Product height (mm):** 390**Product width (mm):** 595**Product depth (mm):** 334**Product length (mm):****Net weight (Kg):** 23,2**TECHNICAL DETAILS**

MWO Power (W): 850

Frequency (Hz): 50

Maximum Nominal Power (W): 2700

Grill (W): 1200

COLOURS

40584302

White glass with frame



40584301

Black glass with frame